

# DV 71-...

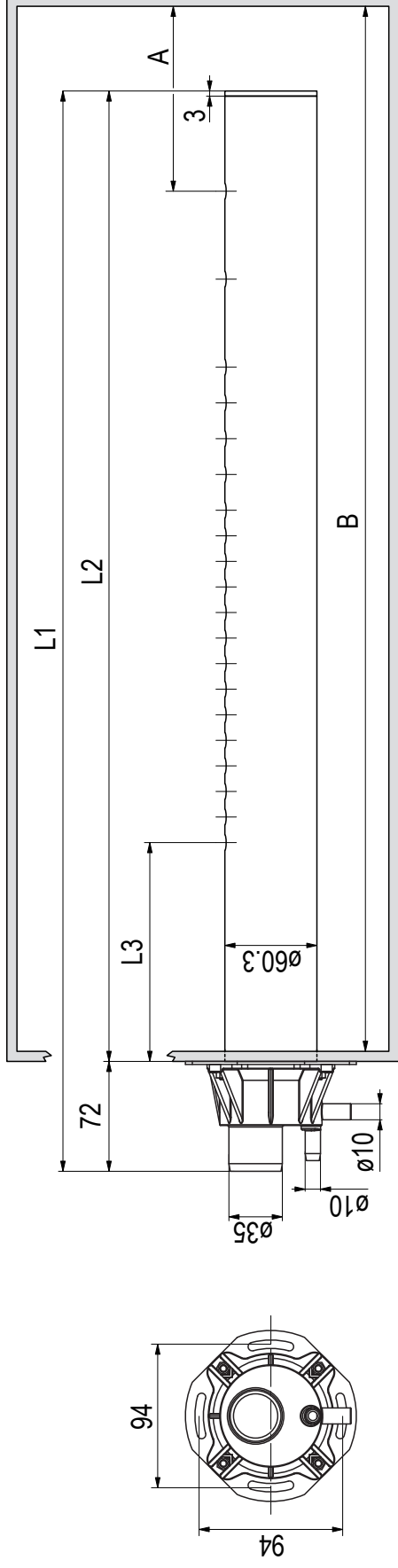
Dampfverteilerrohr  
Steam distribution pipe  
Distributeur de vapeur



MONTAGEANLEITUNG  
MOUNTING INSTRUCTIONS  
INSTRUCTIONS DE MONTAGE

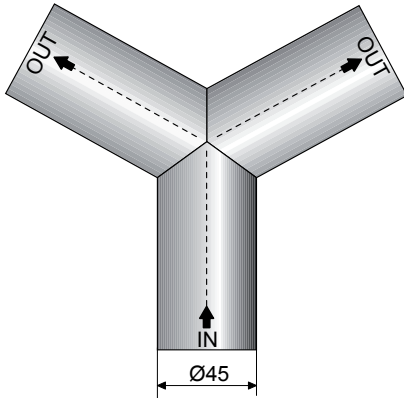


# DV 71-...

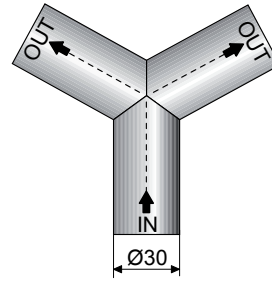


	71-200	71-350	71-500	71-650	71-800	71-1000	71-1200	71-1500	71-1800	71-2000	71-2300	71-2500
L1 [mm]	291	441	591	741	891	1091	1291	1591	1891	2091	2391	2591
L2 [mm]	199	349	499	649	799	999	1199	1499	1799	1999	2299	2499
L3 [mm]	71	96	116	176	201	201	196	226	291	316	321	291
A [mm]	70-260	103-303	160-310	173-323	173-373	173-373	173-473	173-573	273-673	273-673	273-673	273-673
B [mm]	210-400	400-600	600-750	750-900	900-1100	1100-1300	1300-1600	1600-2000	2000-2400	2200-2600	2500-2900	2700-3100
max. $m_0$ [kg/h]	10	30	30	50	50	50	50	50	50	50	50	50

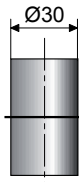
Verbindungsstücke / Steam hose connections / Pièces de connections



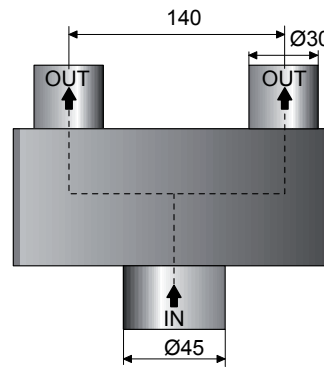
**Typ/Type/Type** 3x45 mm  
 Art.-No. 1101164  
 Dampf/Steam/Vapeur max 45 kg/hr



**Typ/Type/Type** 3x30 mm  
 Art.-No. 1101358  
 Dampf/Steam/Vapeur max 15 kg/hr

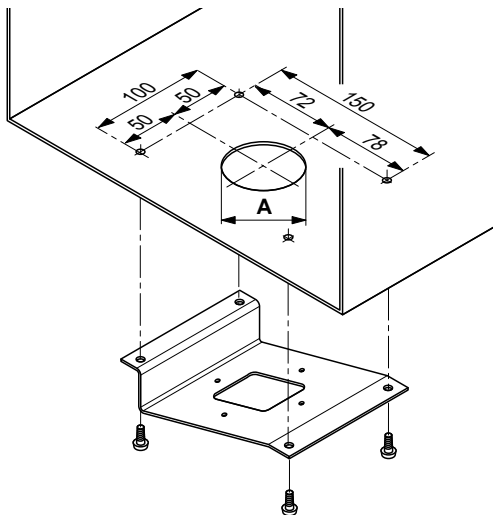


**Typ/Type/Type** 2x30 mm  
 Art.-No. 1109284  
 Dampf/Steam/Vapeur max 15 kg/hr



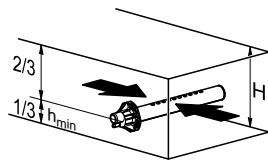
**Typ/Type/Type** 2x30 mm/1x45 mm  
 Art.-No. 1110532  
 Dampf/Steam/Vapeur max 30 kg/hr

Support für Vertikalmontage / Support for vertical installation / Support pour montage vertical

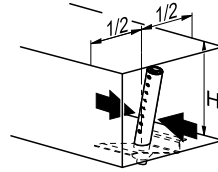


**für Typ/for type/pour type** 71-...  
 Art.-No. 1105126  
 Mass/Dimension/Dimension "A" 63 mm

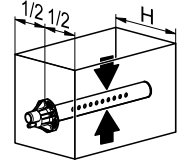
$f_{min} = 150 \text{ mm}$   
 $g_{min} = 100 \text{ mm}$   
 $h_{min} = 85 \text{ mm}$



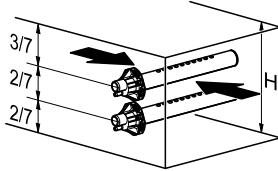
min H= 250 mm



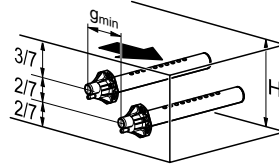
H ≥ 400 mm



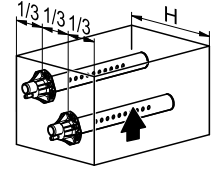
min H= 200 mm



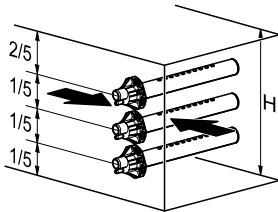
min H= 400 mm



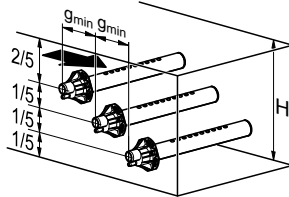
min H= 350 mm



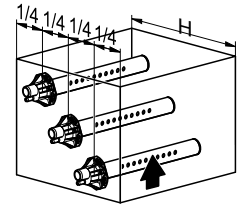
min H= 300 mm



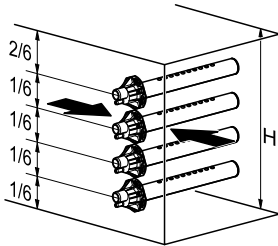
min H= 600 mm



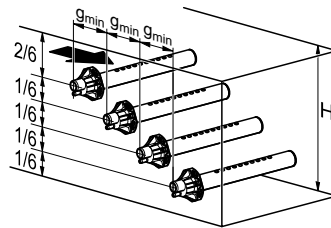
min H= 500 mm



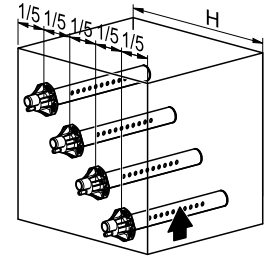
min H= 400 mm



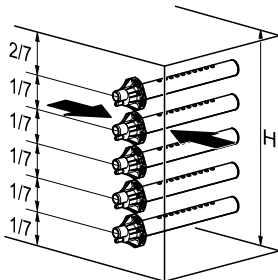
min H= 720 mm



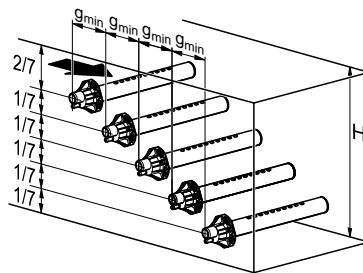
min H= 600 mm



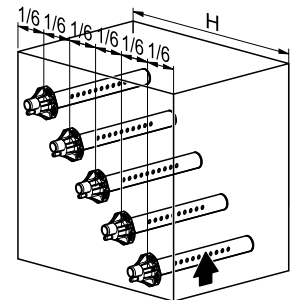
min H= 500 mm



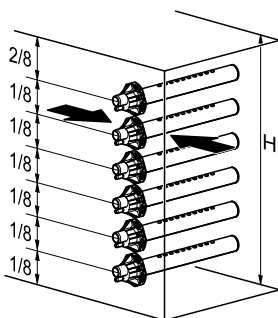
min H= 840 mm



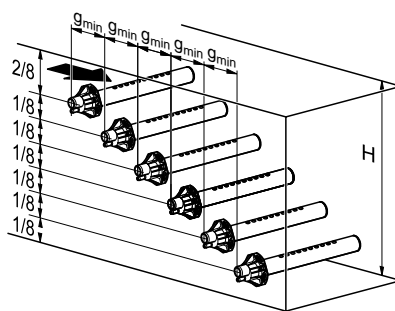
min H= 700 mm



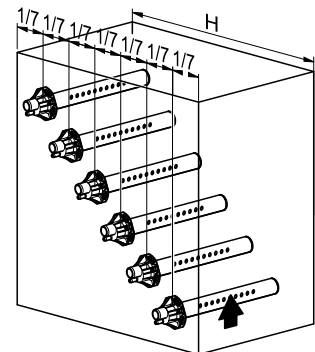
min H= 600 mm



min H= 960 mm

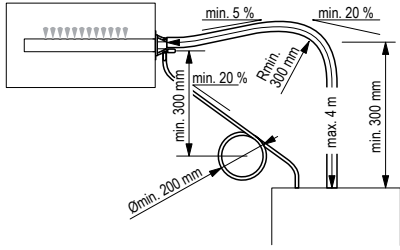


min H= 800 mm

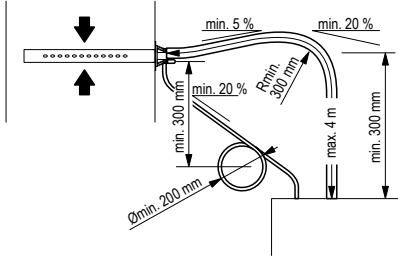


min H= 700 mm

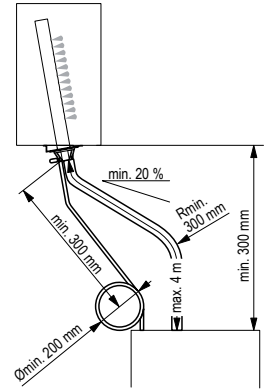
**A**



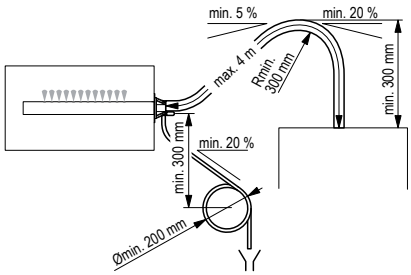
**C**



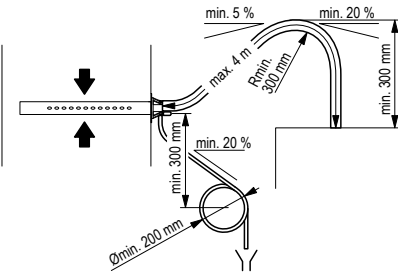
**B**



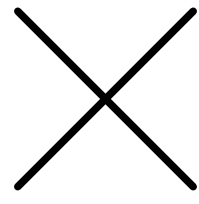
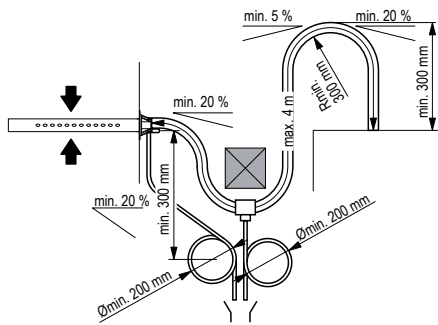
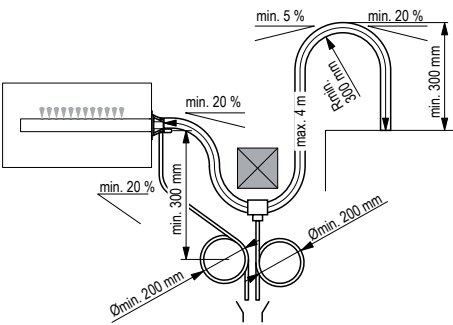
**C**

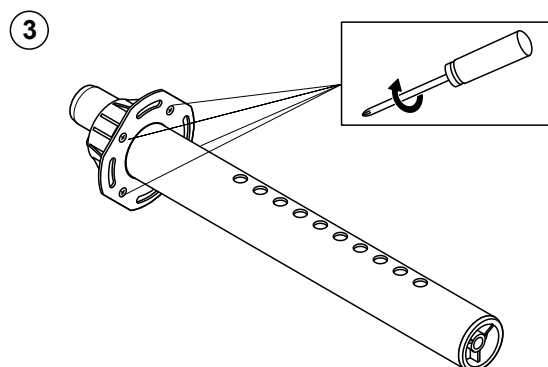
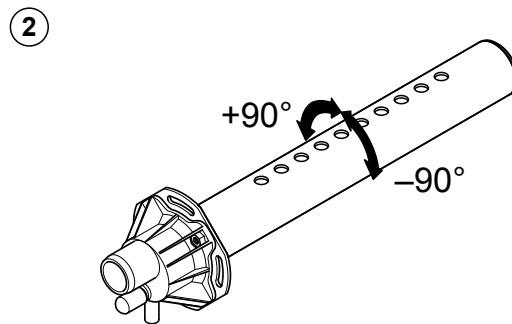
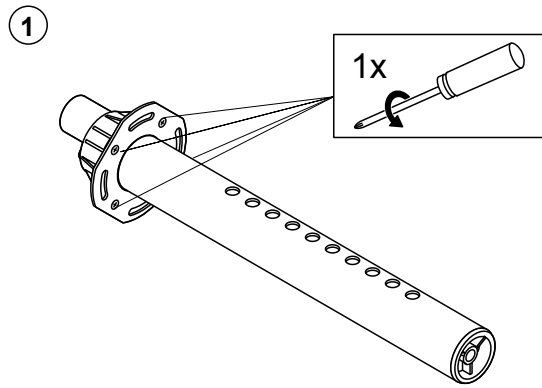


**C**

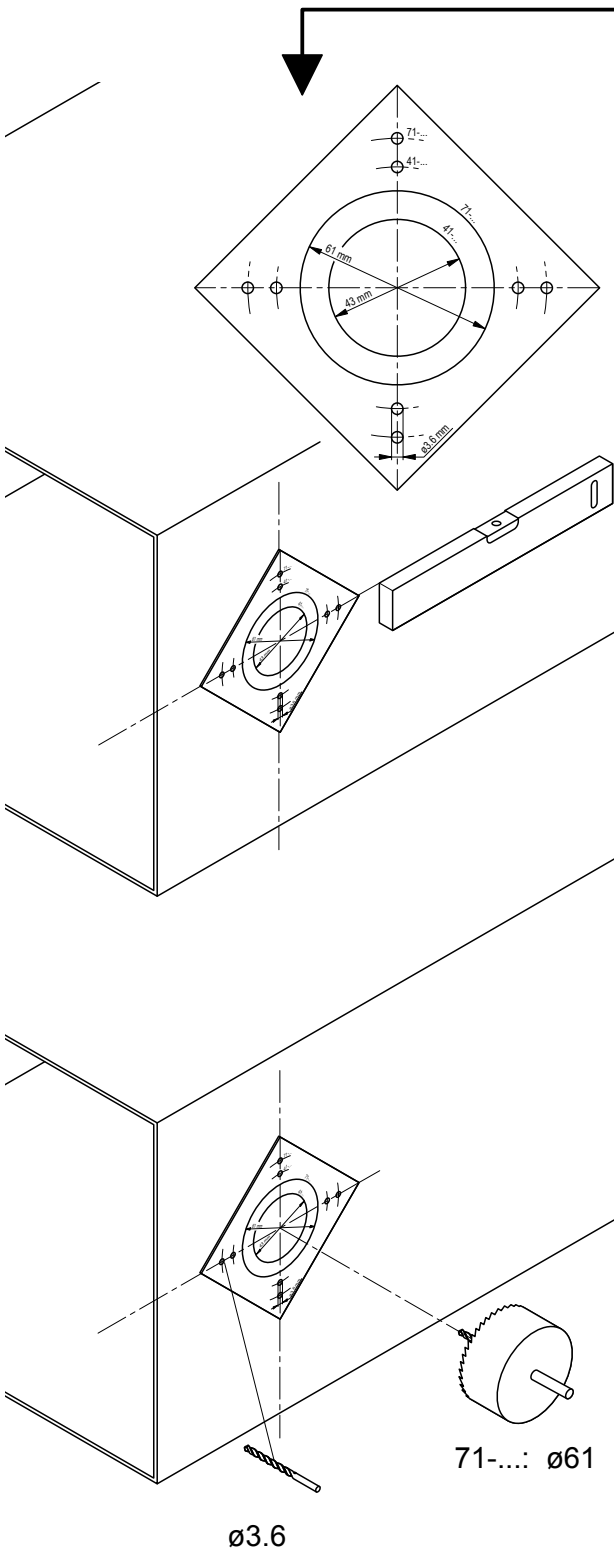


**B**

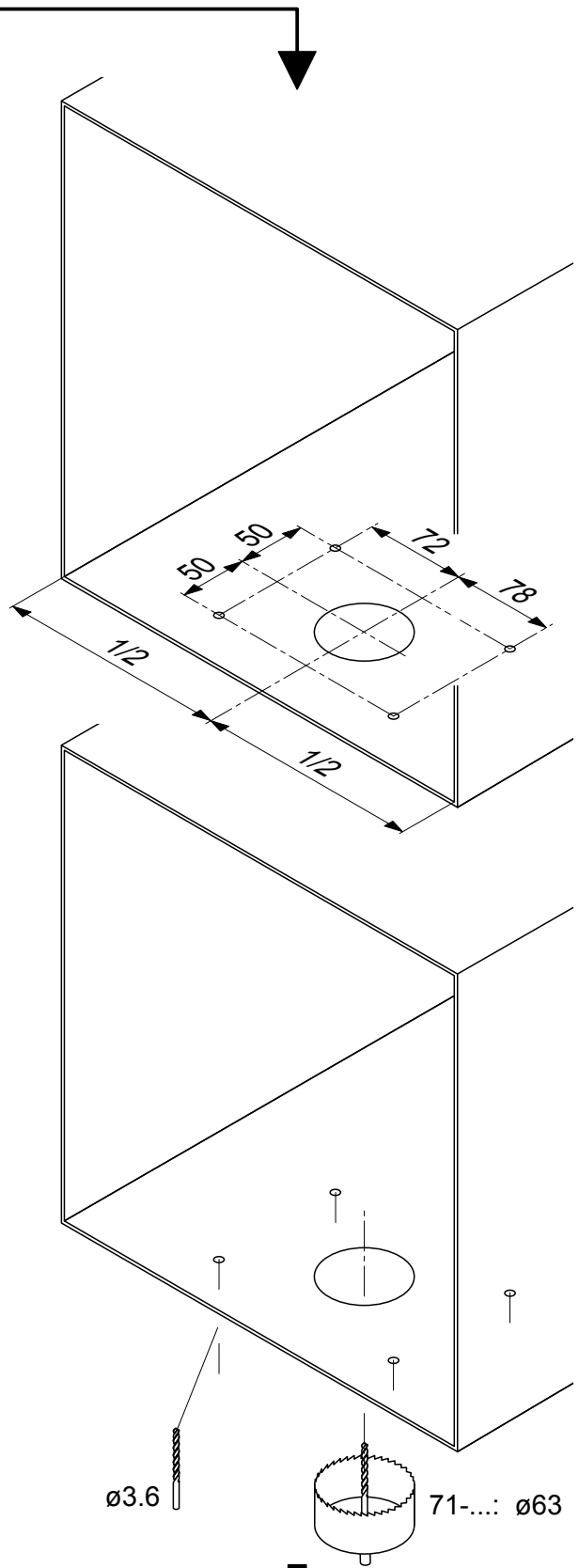


**B**

**C**



**D1**

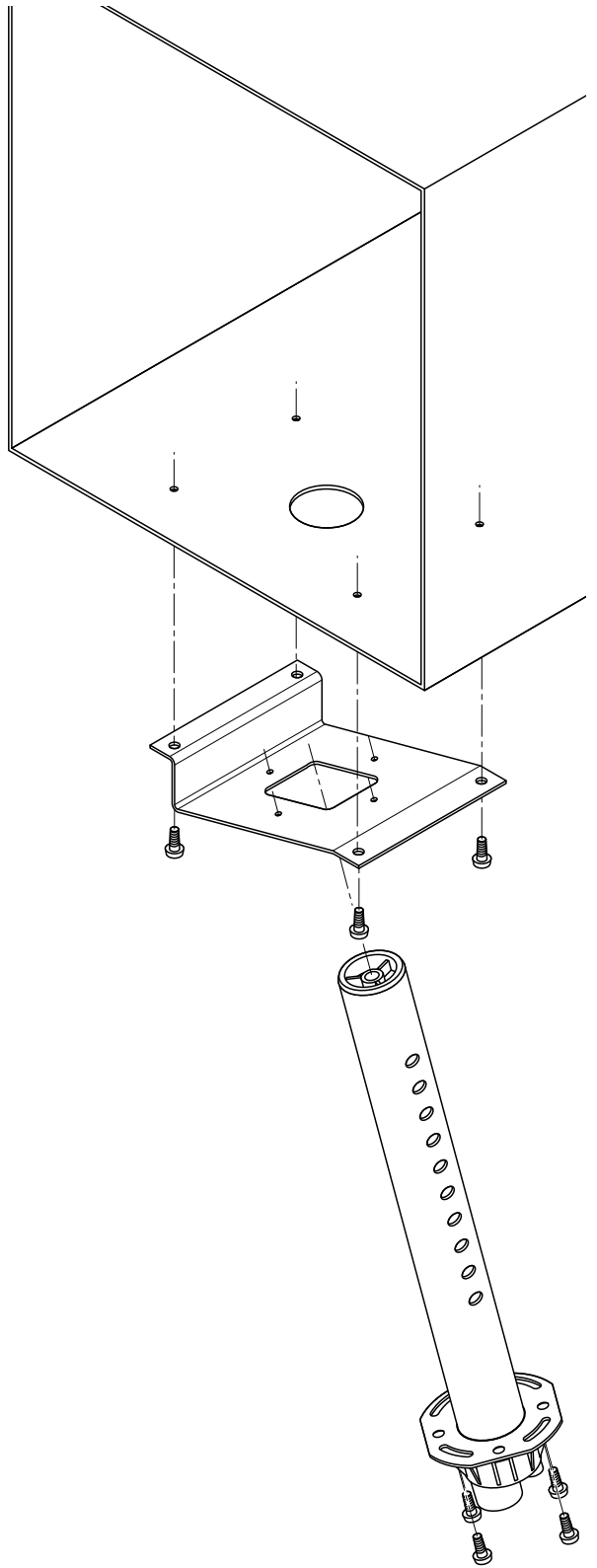
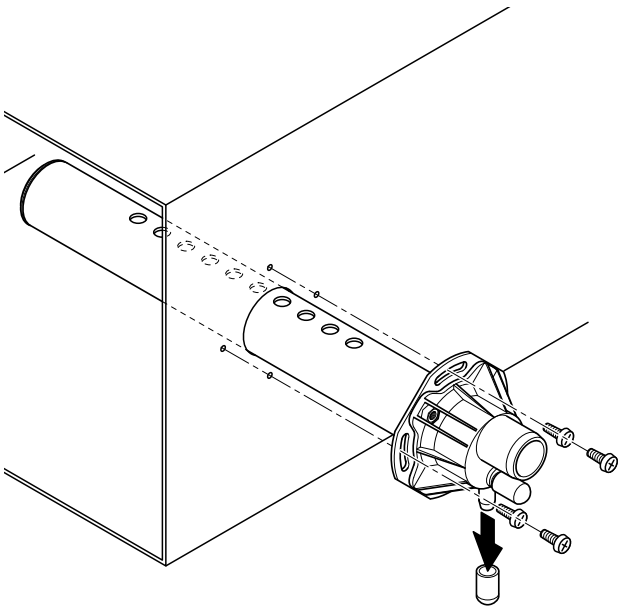


**D2**

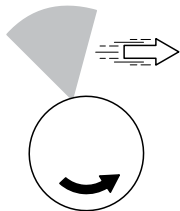
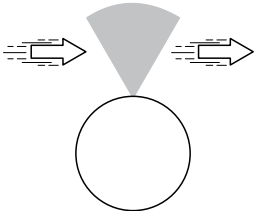
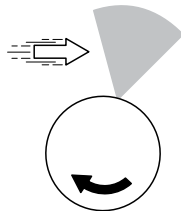
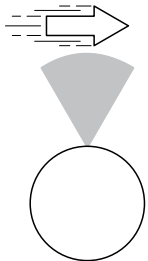
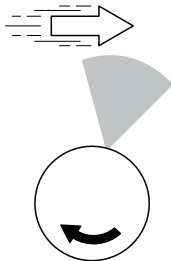
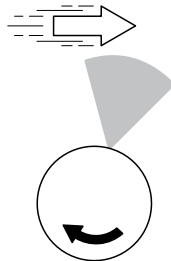


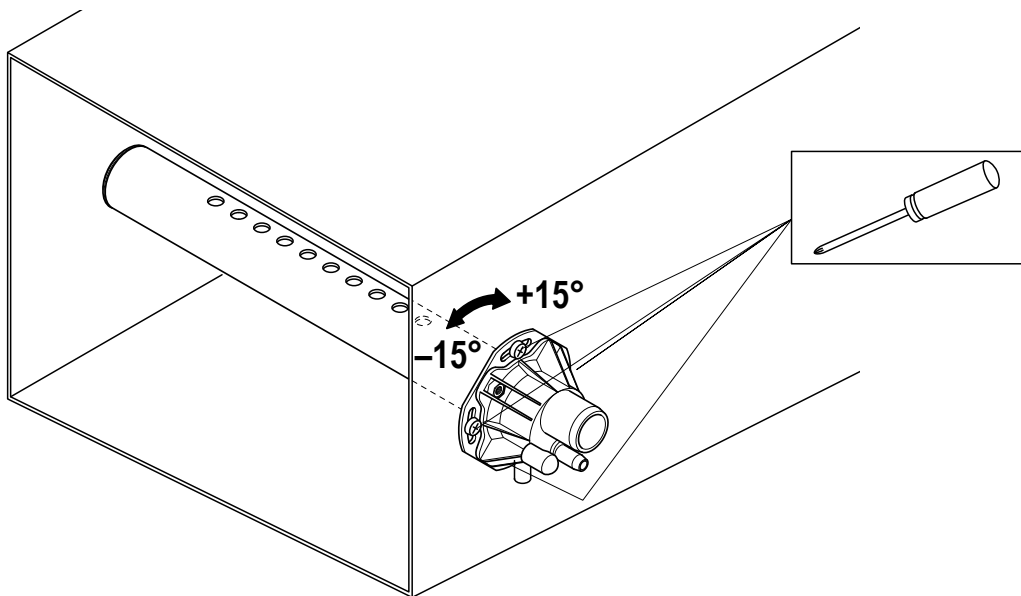
D1

D2

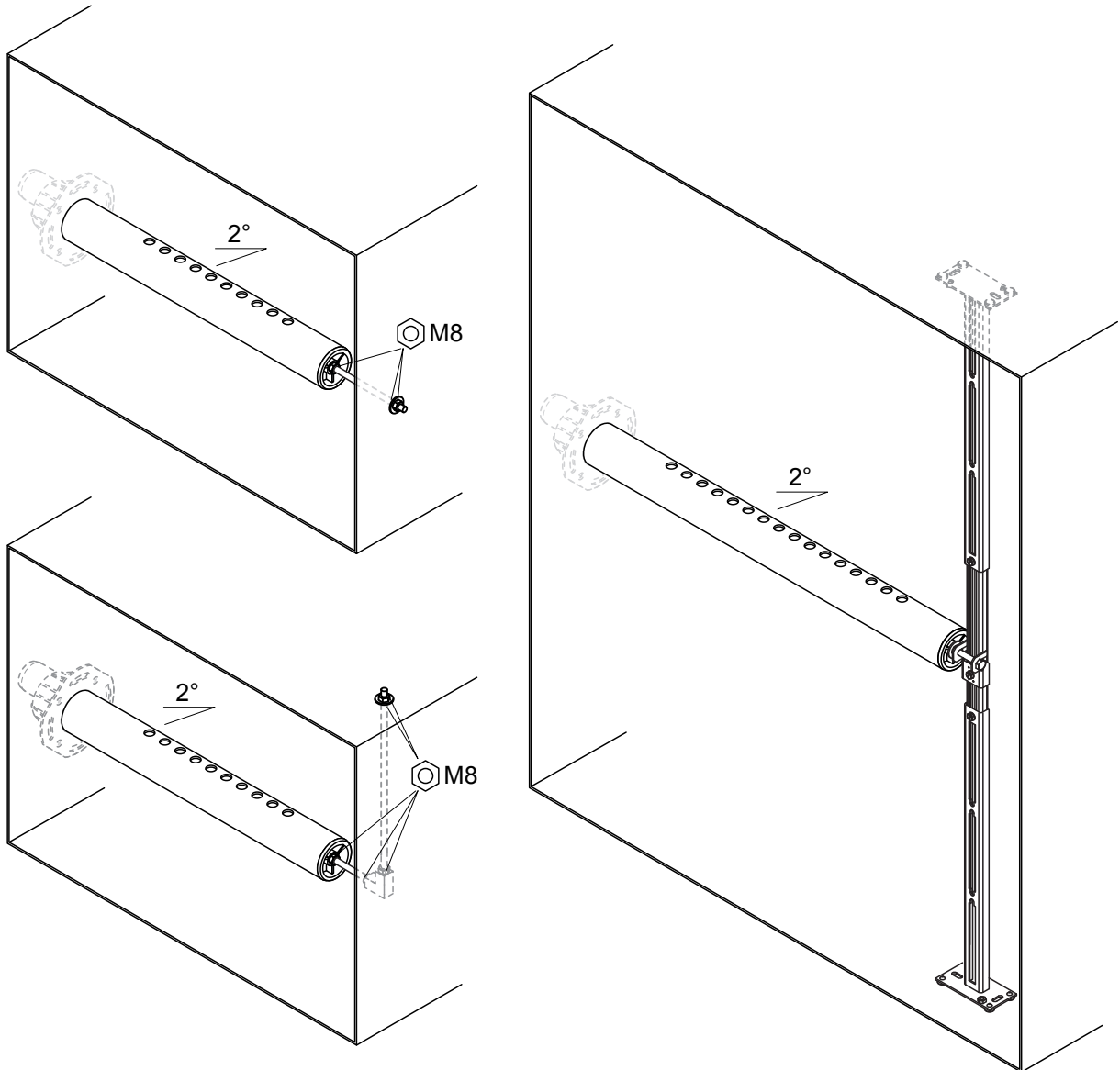


**E**

	$p < -250 \text{ Pa}$	$-250 \text{ Pa} < p < 250 \text{ Pa}$	$p > 250 \text{ Pa}$
$v < 3 \text{ m/s}$			
$v > 3 \text{ m/s}$			



F





CONSULTING, SALES AND SERVICE:

Solutions for Indoor Climate



Reg.No. 40002-2

Manufacturer:

Walter Meier (Climate International) Ltd.

Talstr. 35-37, P.O. Box, CH-8808 Pfäffikon (Switzerland)

Phone +41 55 416 61 11, Fax +41 55 416 62 62

[www.waltermeier.com](http://www.waltermeier.com), [international.climate@waltermeier.com](mailto:international.climate@waltermeier.com)

**walter  
meier**