

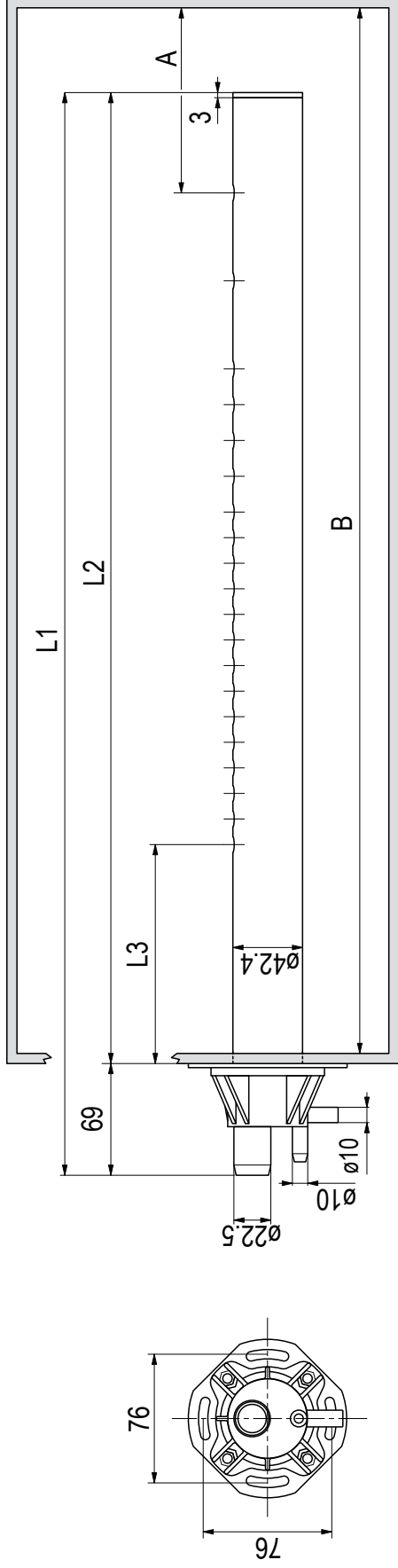
# DV 41-...

Dampfverteilerrohr  
Steam distribution pipe  
Distributeur de vapeur



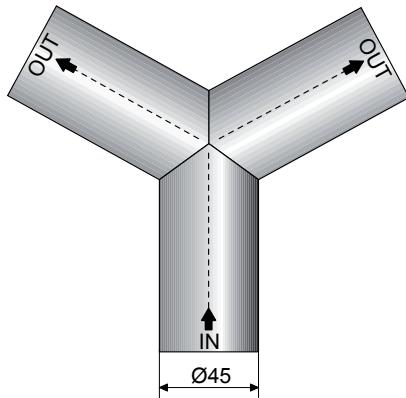
MONTAGEANLEITUNG  
MOUNTING INSTRUCTIONS  
INSTRUCTIONS DE MONTAGE



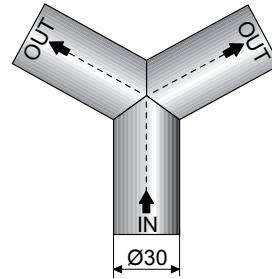


	41-200	41-350	41-500	41-650	41-800	41-1000	41-1200
L1	271	421	571	721	871	1071	1271
L2	202	352	502	652	802	1002	1202
L3	57	97	159	148	159	169	164
A	65-255	105-305	163-313	163-313	173-373	173-373	173-473
B	210-400	400-600	600-750	750-900	900-1100	1100-1300	1300-1600
max. $m_p$	8	8	8	8	8	8	8
	[mm]	[mm]	[mm]	[mm]	[mm]	[mm]	[mm]
	[mm]	[mm]	[mm]	[mm]	[mm]	[mm]	[mm]
	[mm]	[mm]	[mm]	[mm]	[mm]	[mm]	[mm]
	[mm]	[mm]	[mm]	[mm]	[mm]	[mm]	[mm]
	[mm]	[mm]	[mm]	[mm]	[mm]	[mm]	[mm]
	[kg/h]	[kg/h]	[kg/h]	[kg/h]	[kg/h]	[kg/h]	[kg/h]

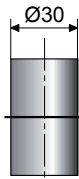
Verbindungsstücke / Steam hose connections / Pièces de connections



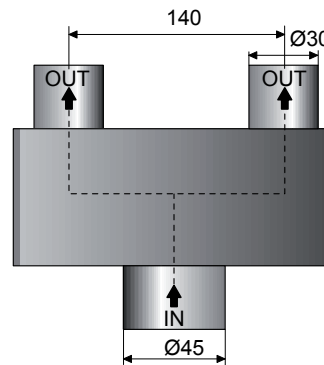
**Typ/Type/Type**      **3x45 mm**  
 Art.-No.              1101164  
 Dampf/Steam/Vapeur    max 45 kg/hr



**Typ/Type/Type**      **3x30 mm**  
 Art.-No.              1101358  
 Dampf/Steam/Vapeur    max 15 kg/hr

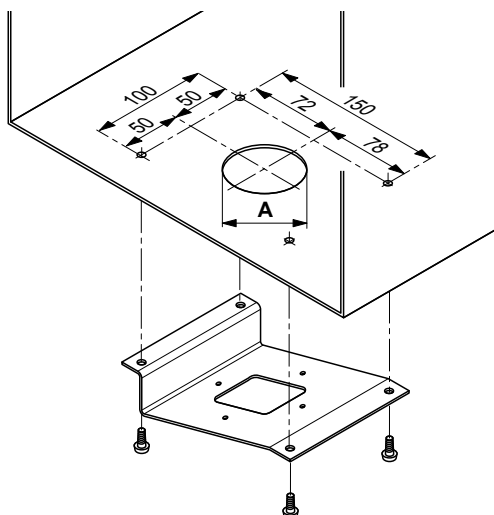


**Typ/Type/Type**      **2x30 mm**  
 Art.-No.              1109284  
 Dampf/Steam/Vapeur    max 15 kg/hr



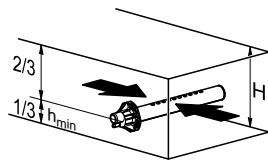
**Typ/Type/Type**      **2x30 mm/1x45 mm**  
 Art.-No.              1110532  
 Dampf/Steam/Vapeur    max 30 kg/hr

Support für Vertikalmontage / Support for vertical installation / Support pour montage vertical

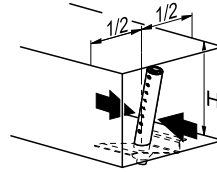


**für Typ/for type/pour type**      **41-...**  
 Art.-No.                              1104718  
 Mass/Dimension/Dimension "A"      45 mm

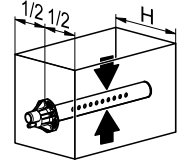
$f_{min} = 150 \text{ mm}$   
 $g_{min} = 100 \text{ mm}$   
 $h_{min} = 85 \text{ mm}$



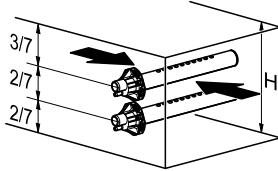
min H= 250 mm



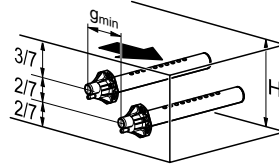
H ≥ 400 mm



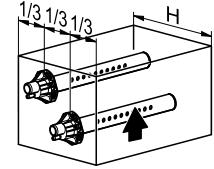
min H= 200 mm



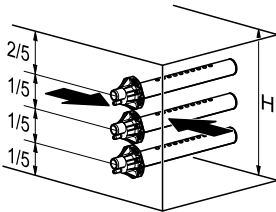
min H= 400 mm



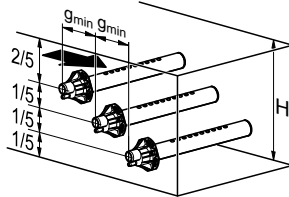
min H= 350 mm



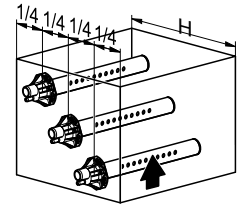
min H= 300 mm



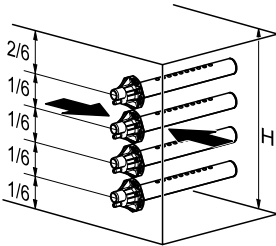
min H= 600 mm



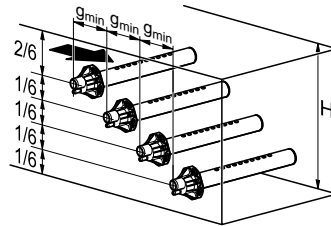
min H= 500 mm



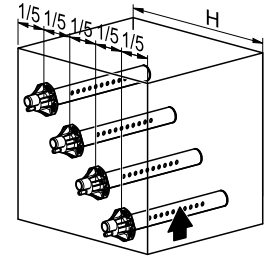
min H= 400 mm



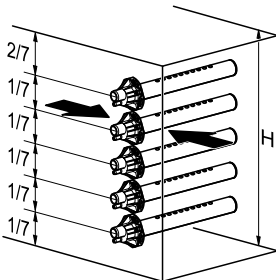
min H= 720 mm



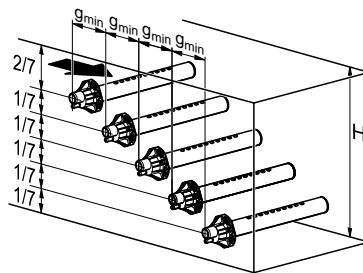
min H= 600 mm



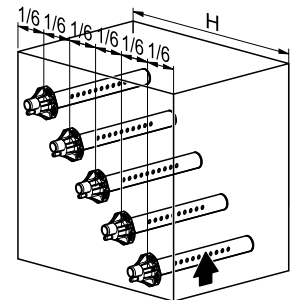
min H= 500 mm



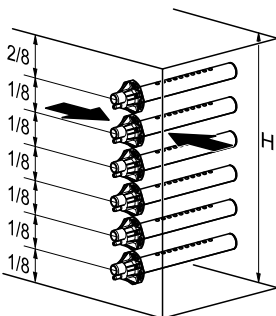
min H= 840 mm



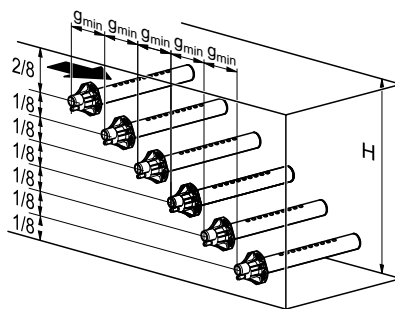
min H= 700 mm



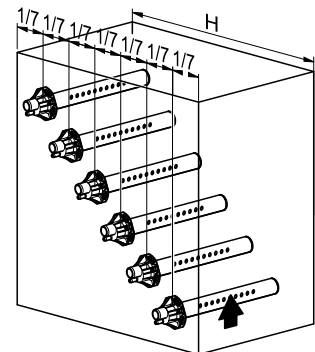
min H= 600 mm



min H= 960 mm

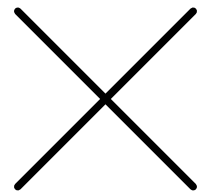
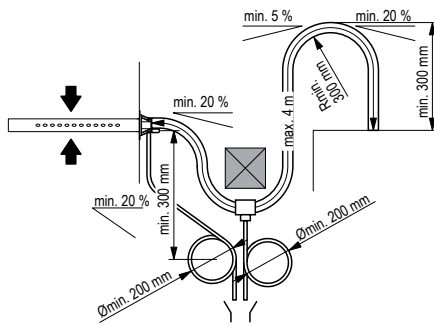
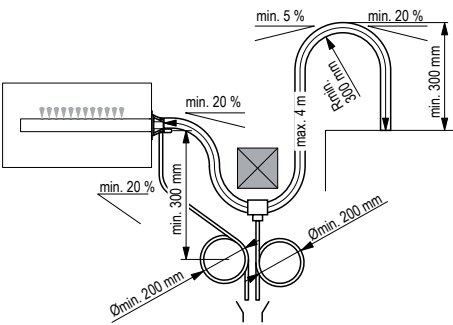
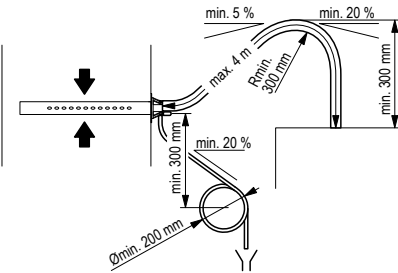
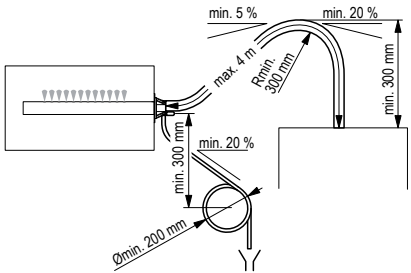
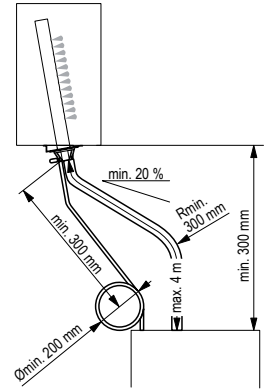
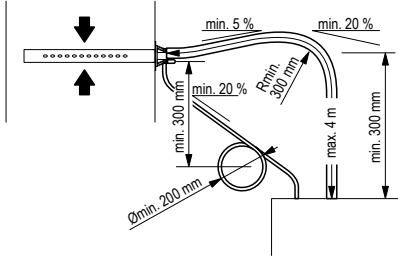
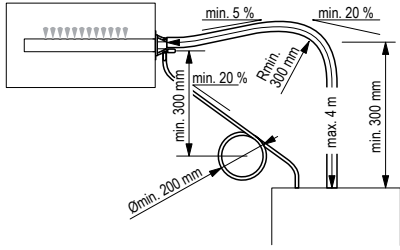


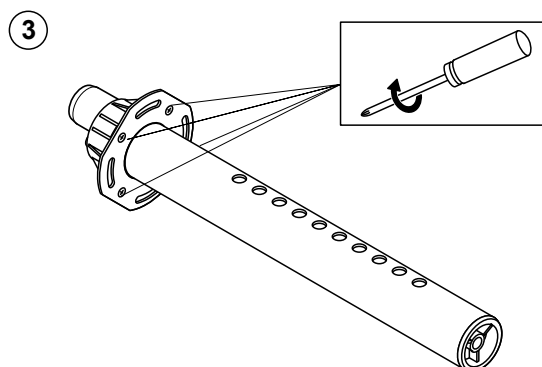
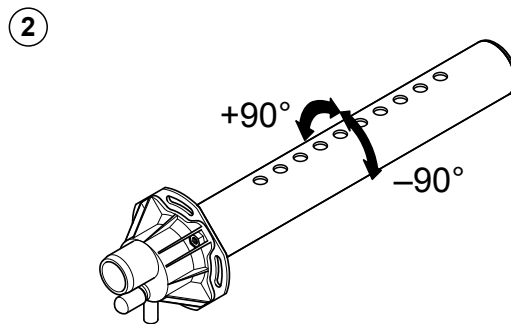
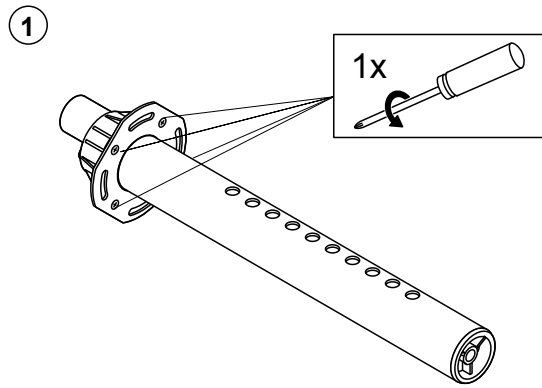
min H= 800 mm



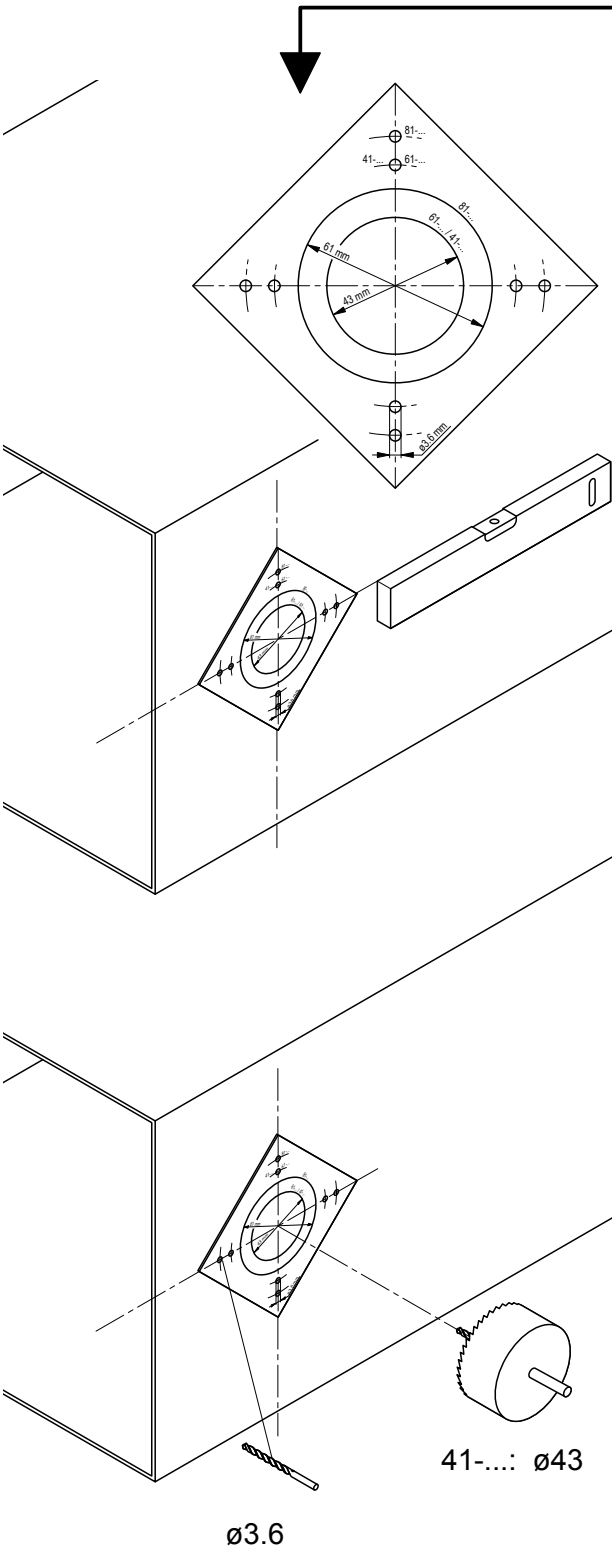
min H= 700 mm

**A**

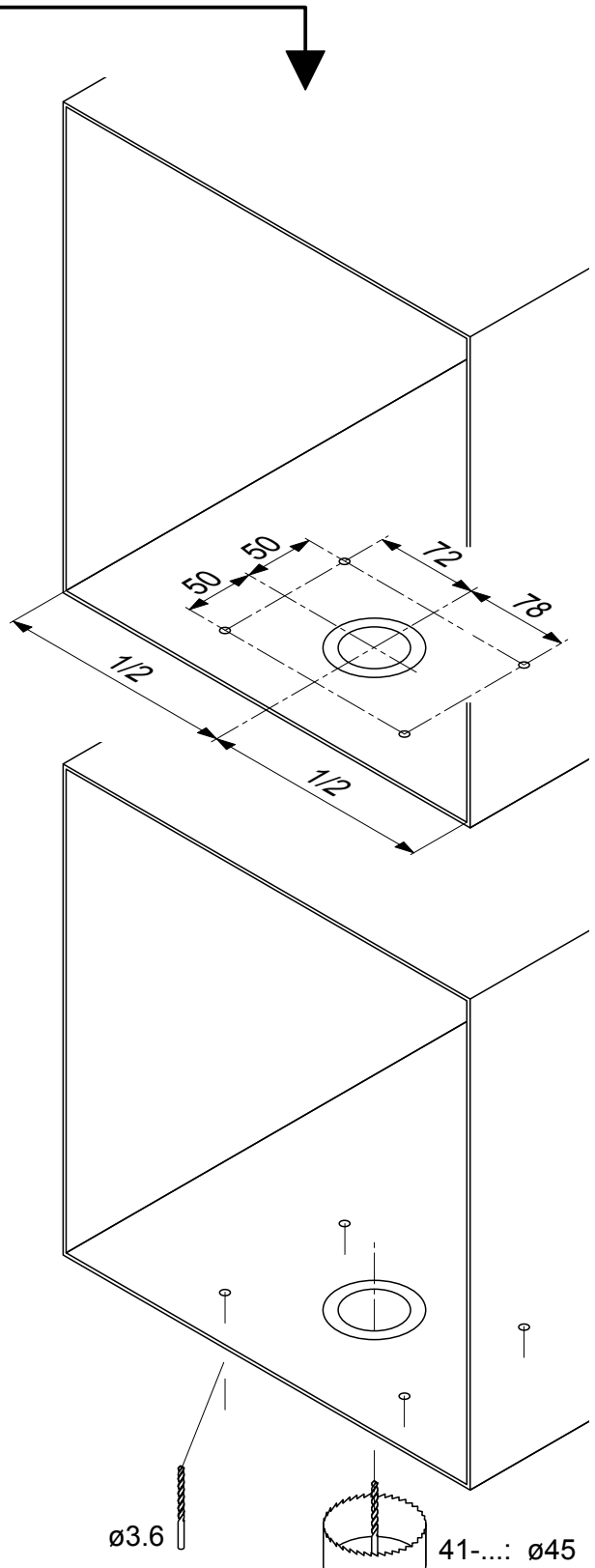


**B**

**C**



**D1**

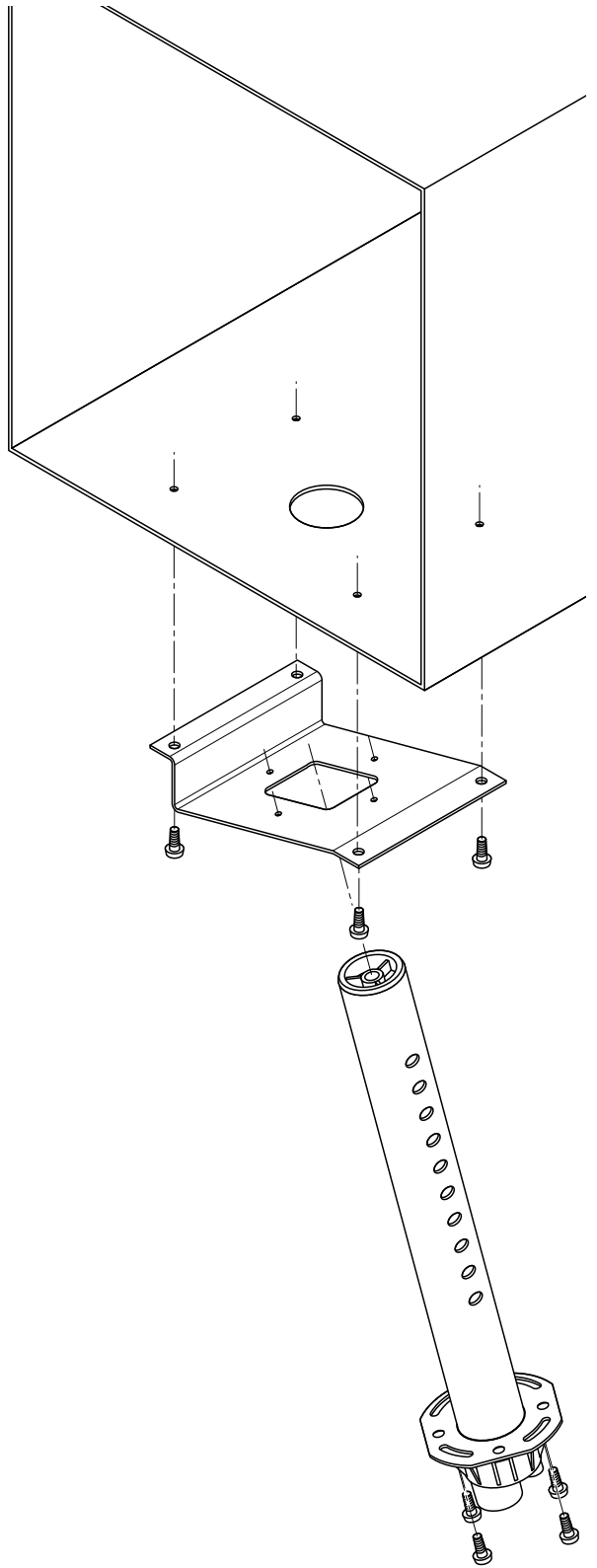
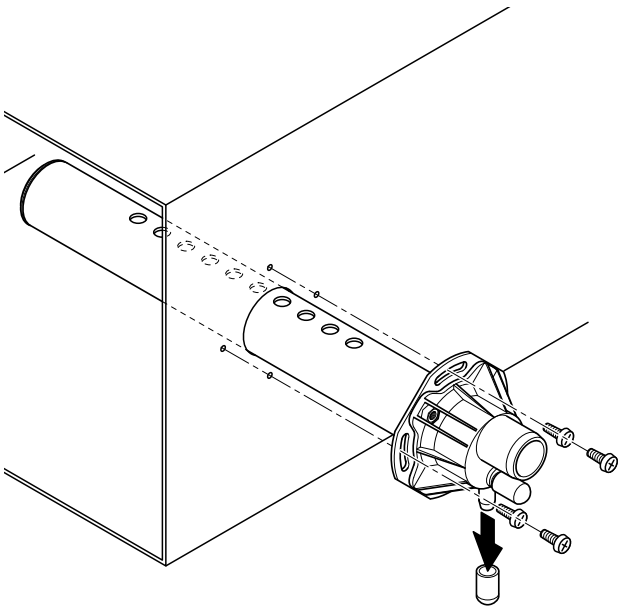


**D2**



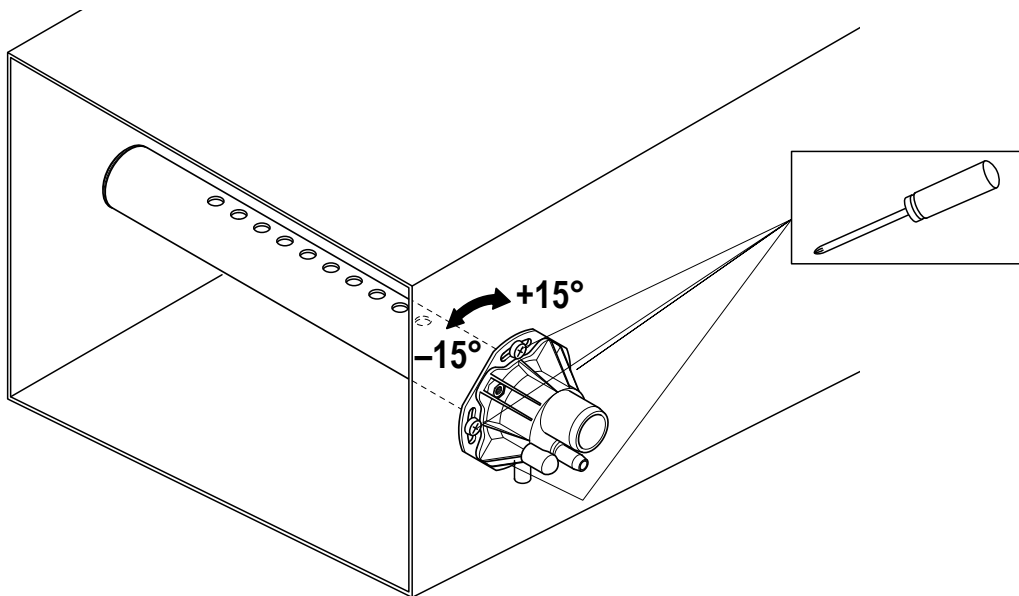
D1

D2

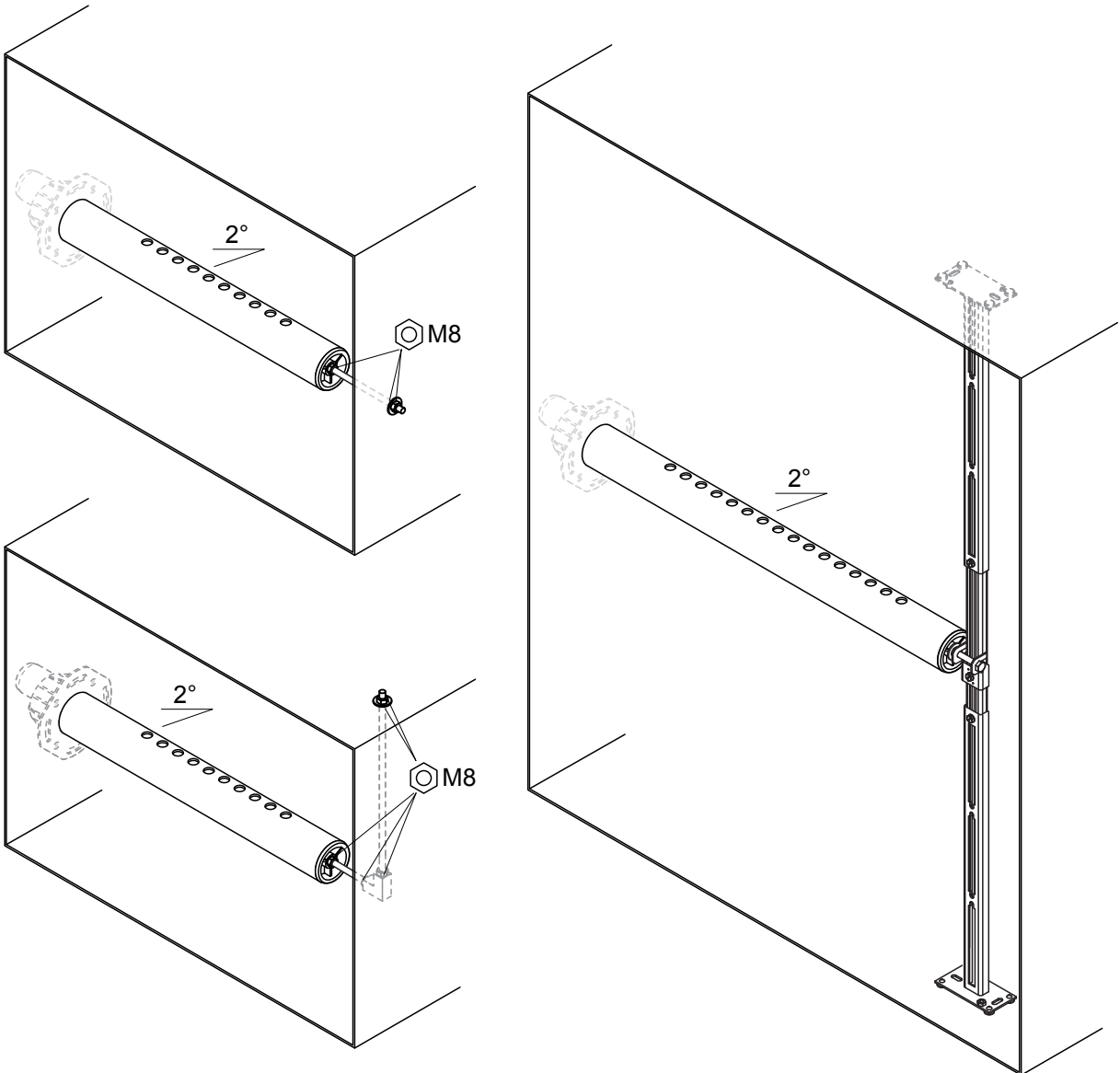


**E**

	$p < -250 \text{ Pa}$	$-250 \text{ Pa} < p < 250 \text{ Pa}$	$p > 250 \text{ Pa}$
$v < 3 \text{ m/s}$			
$v > 3 \text{ m/s}$			



F





CONSULTING, SALES AND SERVICE:

Solutions for Indoor Climate



Reg.No. 40002-2

Manufacturer:

Walter Meier (Climate International) Ltd.

Talstr. 35-37, P.O. Box, CH-8808 Pfäffikon (Switzerland)

Phone +41 55 416 61 11, Fax +41 55 416 62 62

[www.waltermeier.com](http://www.waltermeier.com), [international.climate@waltermeier.com](mailto:international.climate@waltermeier.com)

**walter  
meier**