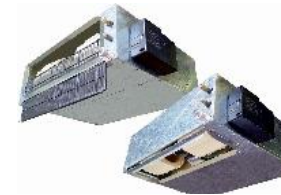
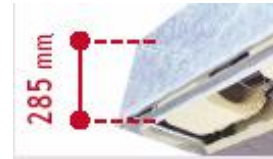




## **New Hydronic Satellite advantages**



- ü Lower cost
- ü Height reduction: only 285mm on all sizes
- ü Noise improvement
- ü Capacity range improvement
- ü Flexible installation options
- ü Extended control ranges



# Hydronic Global Satellite - New range: what is improving?



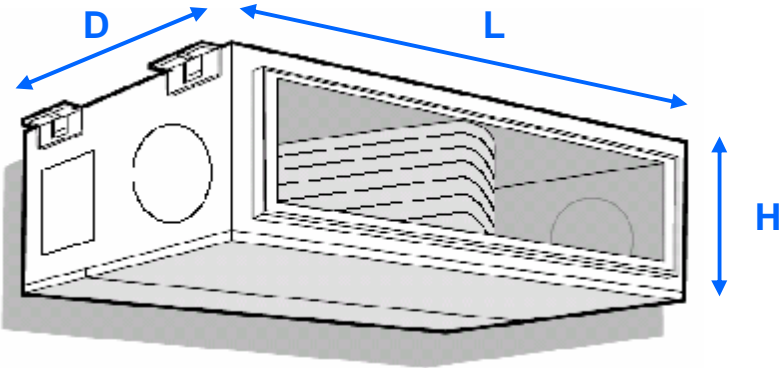
Carrier Confidential

	<b>New satellite</b>	<b>Current satellite</b>
<b>Dimensions</b>		
	<ul style="list-style-type: none"> <li>•New patented design</li> <li>•Only 2 chassis 285mm high</li> </ul>	<ul style="list-style-type: none"> <li>•Three different chassis</li> <li>•Large sizes above 300mm</li> </ul>
<b>Performance</b>	<ul style="list-style-type: none"> <li>•Lower noise (up to -10dBA)</li> <li>•Linear range of capacities (2 additional sizes on 2 pipe)</li> </ul>	
<b>Installability options</b>	<ul style="list-style-type: none"> <li>•Both frontal and lateral air discharge</li> <li>•Air return from bottom or rear</li> <li>•4 speed motor</li> </ul>	<ul style="list-style-type: none"> <li>•Only frontal air discharge</li> <li>•Air return only from rear</li> <li>•Only 3 speed motor</li> </ul>
<b>Ducts connection</b>	<ul style="list-style-type: none"> <li>•No need for octopus</li> <li>•Panel already provided with standard unit</li> </ul>	<ul style="list-style-type: none"> <li>•Requires an octopus kit for rounded ducts</li> </ul>

Hydronic Global Satellite  
**New range -dimensions**



Carrier Confidential

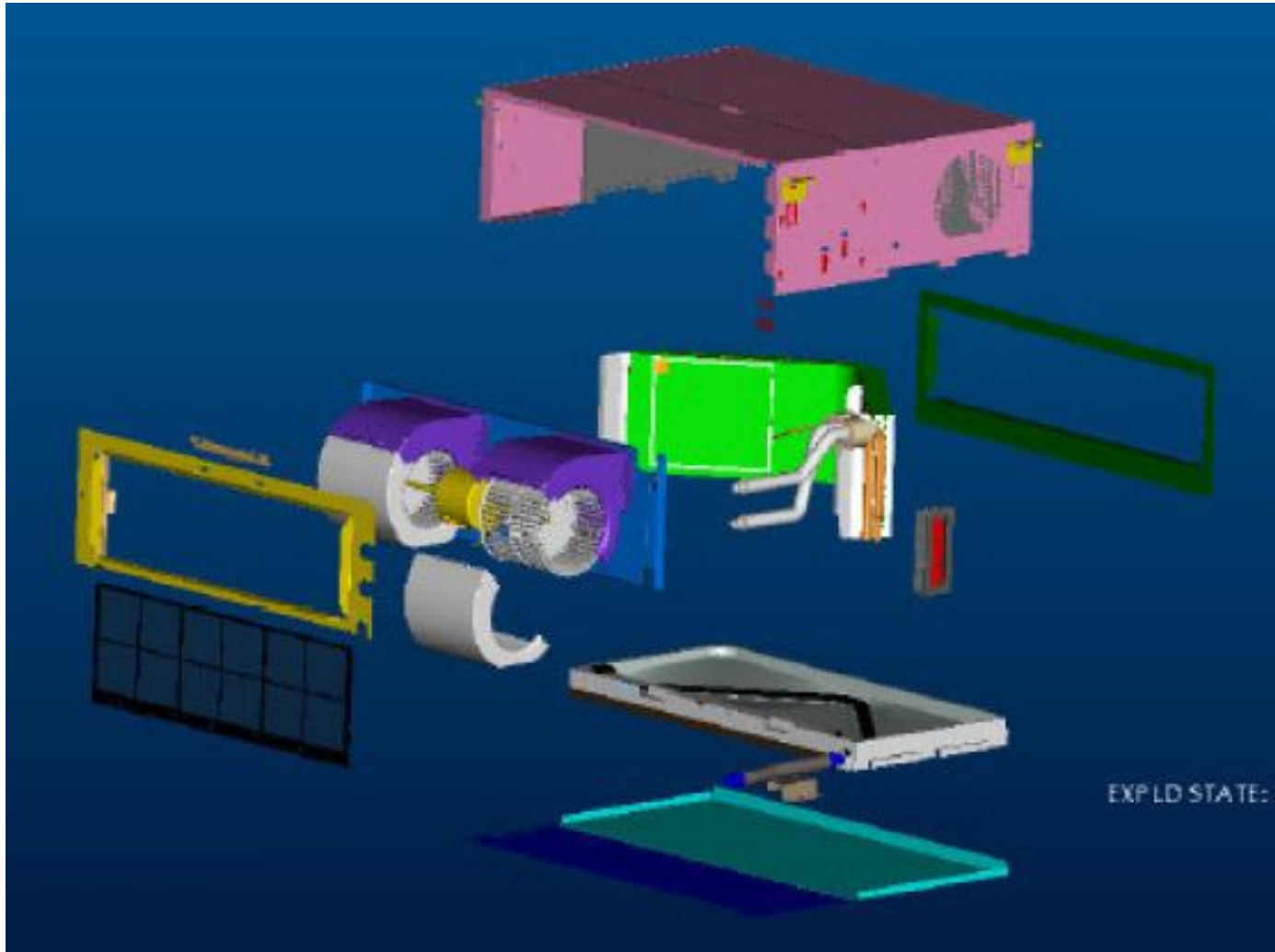


TYPE	UNIT	DIMENSIONS [LxDxH, mm]
2-PIPES	42DWC07	925 x 750 x 285
	42DWC09	
	42DWC12	1325 x 750 x 285
	42DWC16	
4-PIPES	42DWC09	925 x 750 x 285
	42DWC16	1325 x 750 x 285

# Hydronic Global Satellite 2 pipes units



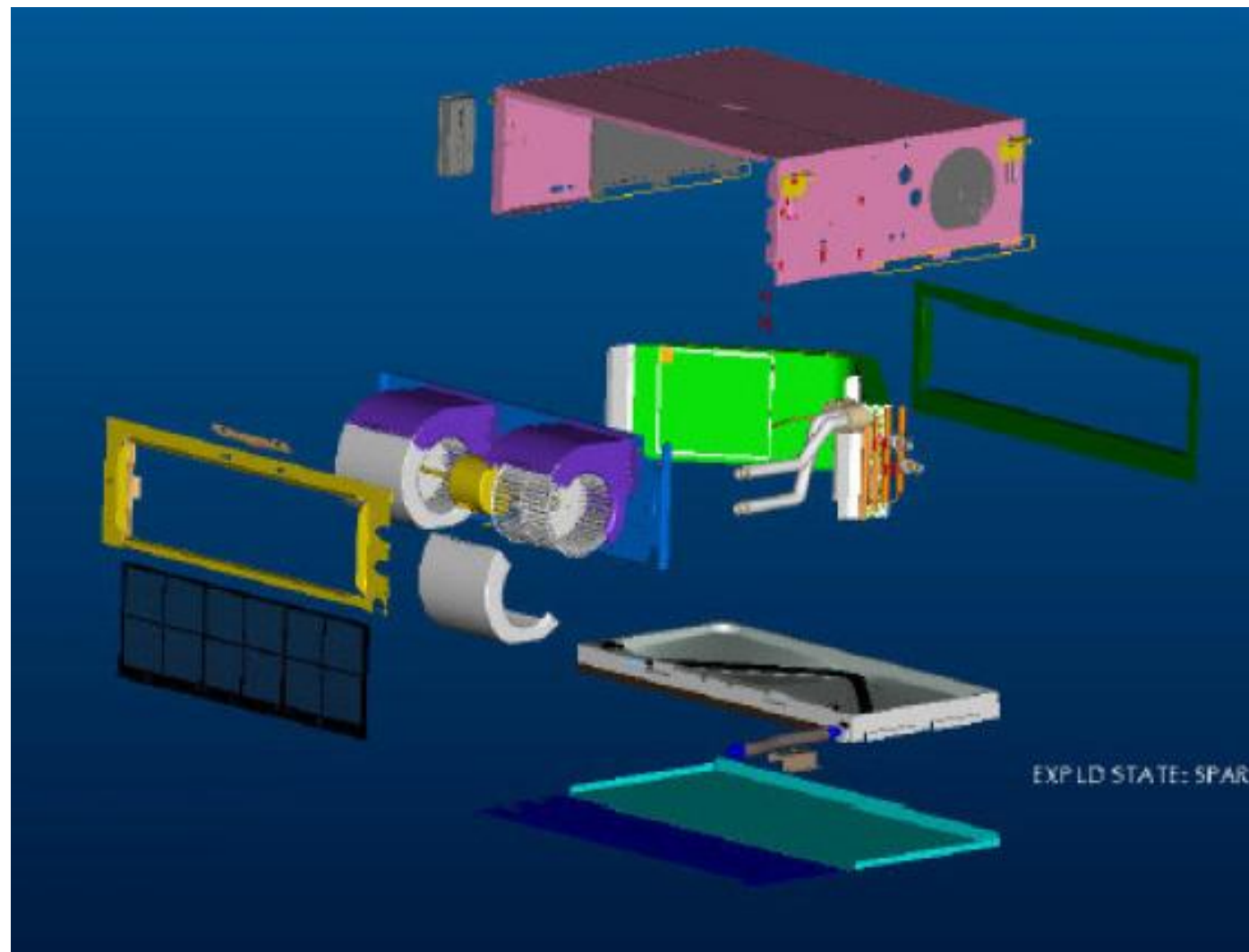
Carrier Confidential



# Hydronic Global Satellite 4 pipes units



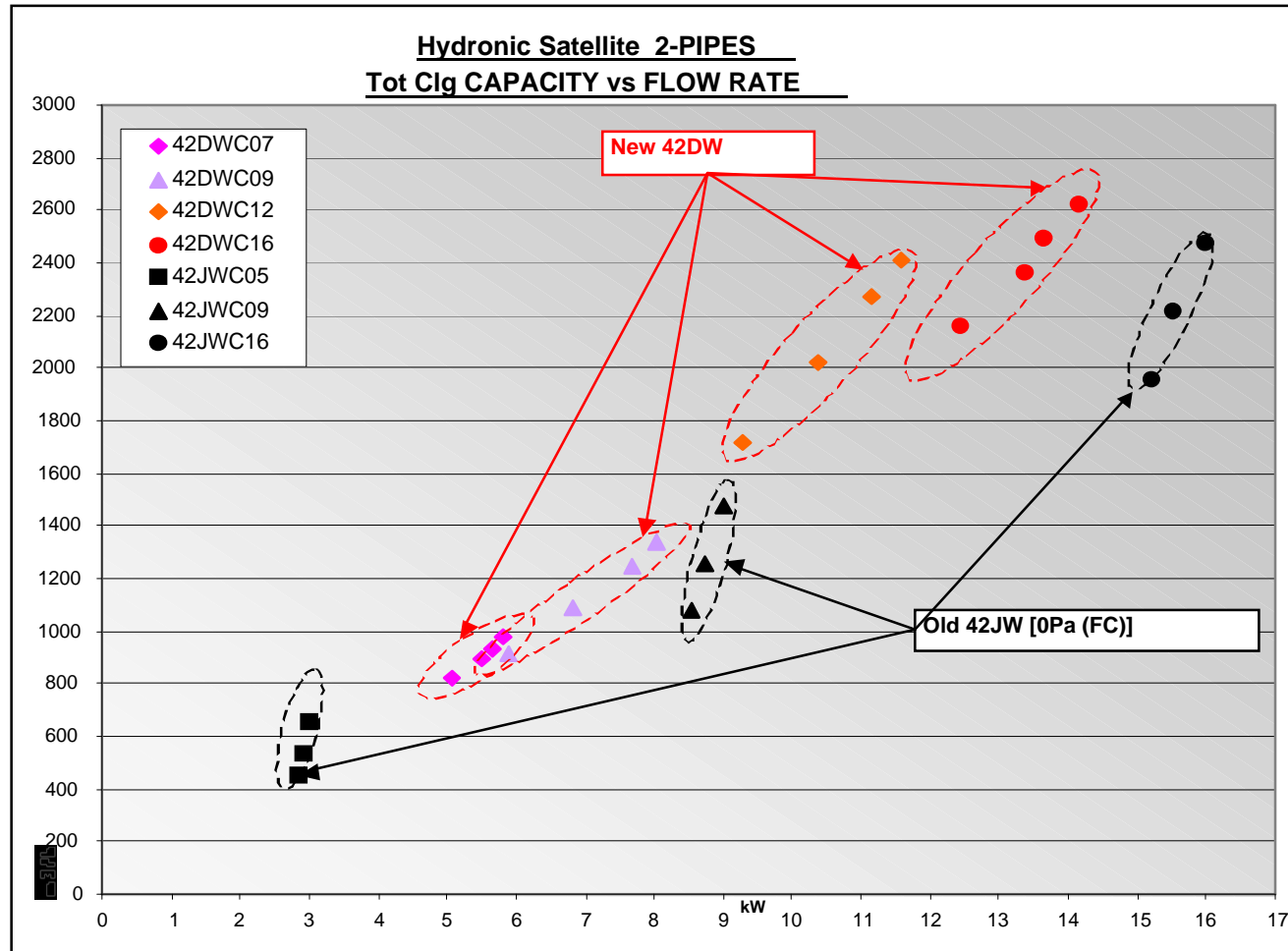
Carrier Confidential



# Hydronic Global Satellite Capacity range



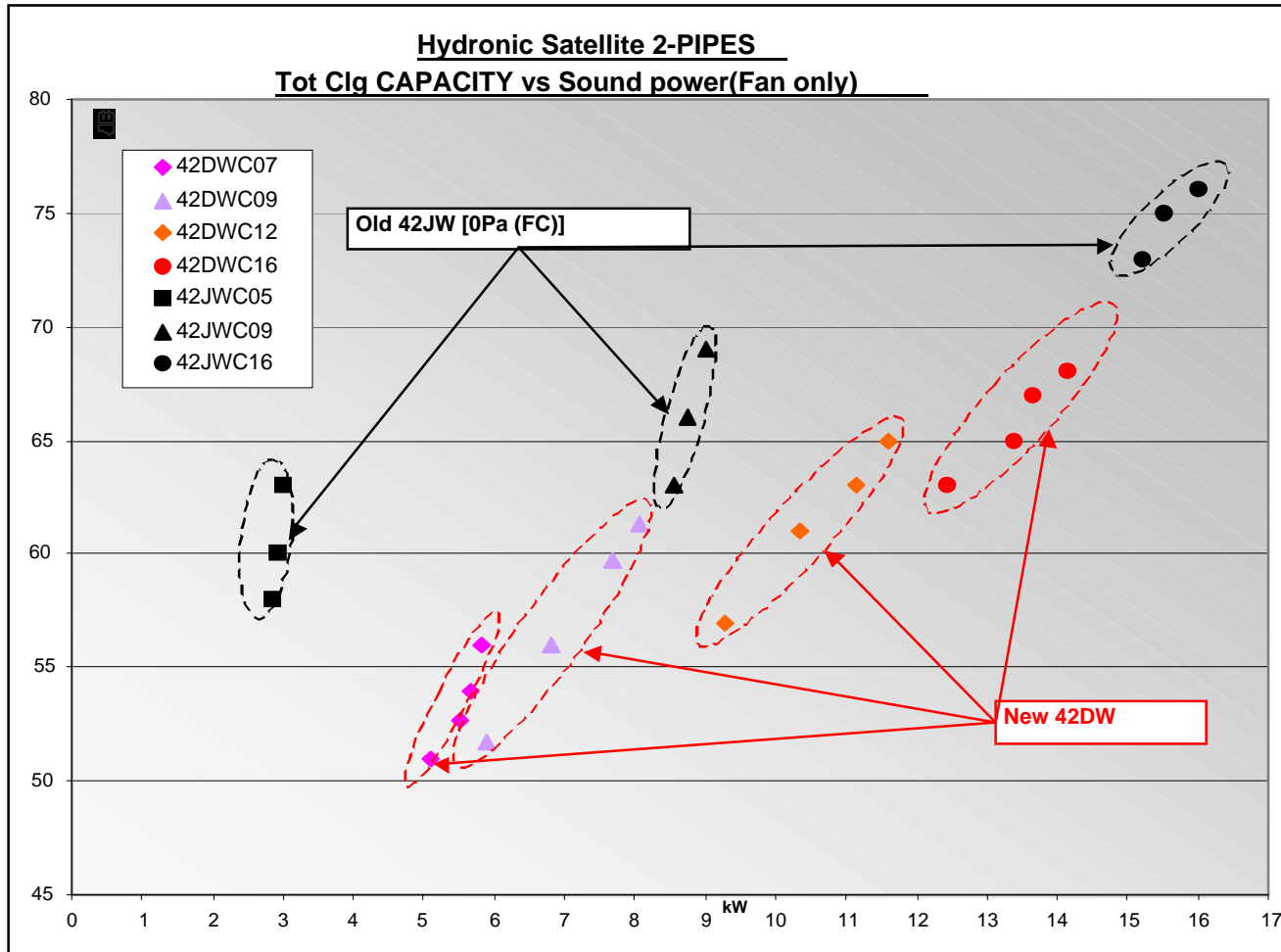
Carrier Confidential



Introduced new sizes 07 and 12 to better cover all range of capacity.

# Hydronic Global Satellite Noise level

Carrier Confidential



Reduction up to -10dBA in Sound Power

# Hydronic Global Satellite Performance



Carrier Confidential

	RANGE	SPEED	FLOW RATE	Dp	SENSIBLE C CAP	TOTAL C CAP	HEATING CAP	C DP	H DP	ABS CAP	VOLTAGE	LW I+Env	Lw O
			m3/h					kPa	kPa				
Hydronic Satellite <b>2</b> PIPES UNIT	42DWC07	1	820	40	4.00	5.08	6.74	16.0	15.2	0.085	230-1-50	52	51
		2	900	50	4.33	5.50	7.28	21.1	19.2	0.095	230-1-50	54	53
		3	935	55	4.47	5.67	7.60	23.2	21.0	0.105	230-1-50	55	54
		4	975	60	4.65	5.82	7.87	24.5	22.2	0.135	230-1-50	57	56
	42DWC09	1	910	35	4.54	5.88	7.95	16.1	15.3	0.125	230-1-50	53	52
		2	1090	50	5.32	6.81	9.31	21.5	19.3	0.165	230-1-50	57	56
		3	1250	65	6.05	7.69	10.50	27.5	25.0	0.195	230-1-50	61	60
		4	1340	75	6.40	8.05	11.11	29.9	26.5	0.215	230-1-50	62	61
	42DWC12	1	1720	35	7.53	9.29	13.09	38.0	33.0	0.265	230-1-50	61	57
		2	2025	50	8.52	10.36	14.80	45.0	43.0	0.310	230-1-50	64	61
		3	2275	60	9.28	11.15	16.26	55.0	49.0	0.360	230-1-50	66	63
		4	2410	70	9.68	11.59	17.11	59.0	55.0	0.400	230-1-50	68	65
	42DWC16	1	2160	40	10.00	12.44	17.35	48.3	44.6	0.370	230-1-50	67	63
		2	2360	50	10.59	13.39	18.71	56.1	51.6	0.410	230-1-50	68	65
		3	2490	55	10.72	13.65	19.76	58.4	54.0	0.450	230-1-50	70	67
		4	2620	60	11.30	14.14	20.50	62.4	58.0	0.515	230-1-50	71	68

	RANGE	SPEED	FLOW RATE	Dp	SENSIBLE C CAP	TOTAL C CAP	HEATING CAP	C DP	H DP	ABS CAP	VOLTAGE	FC Noise
			m3/h					kPa	kPa			
Hydronic Satellite <b>4</b> PIPES UNIT	42DWD09-FC	1	1069	0	4.92	6.14	8.19	28.1	14.6	0.132	230-1-50	55
		2	1307	0	5.76	7.06	9.19	34.6	17.3	0.175	230-1-50	60
		3	1548	0	6.44	7.66	9.77	40.4	19.6	0.217	230-1-50	64
		4	1696	0	6.97	8.25	10.55	45.8	22.4	0.240	230-1-50	66
	42DWD16-FC	1	2370	0	9.38	11.32	15.35	48.0	45.0	0.400	230-1-50	69
		2	2655	0	10.16	12.12	16.41	54.0	51.0	0.460	230-1-50	71
		3	2900	0	10.69	12.64	17.28	58.0	56.0	0.510	230-1-50	73
		4	3085	0	10.95	13.00	17.93	63.0	60.0	0.580	230-1-50	75

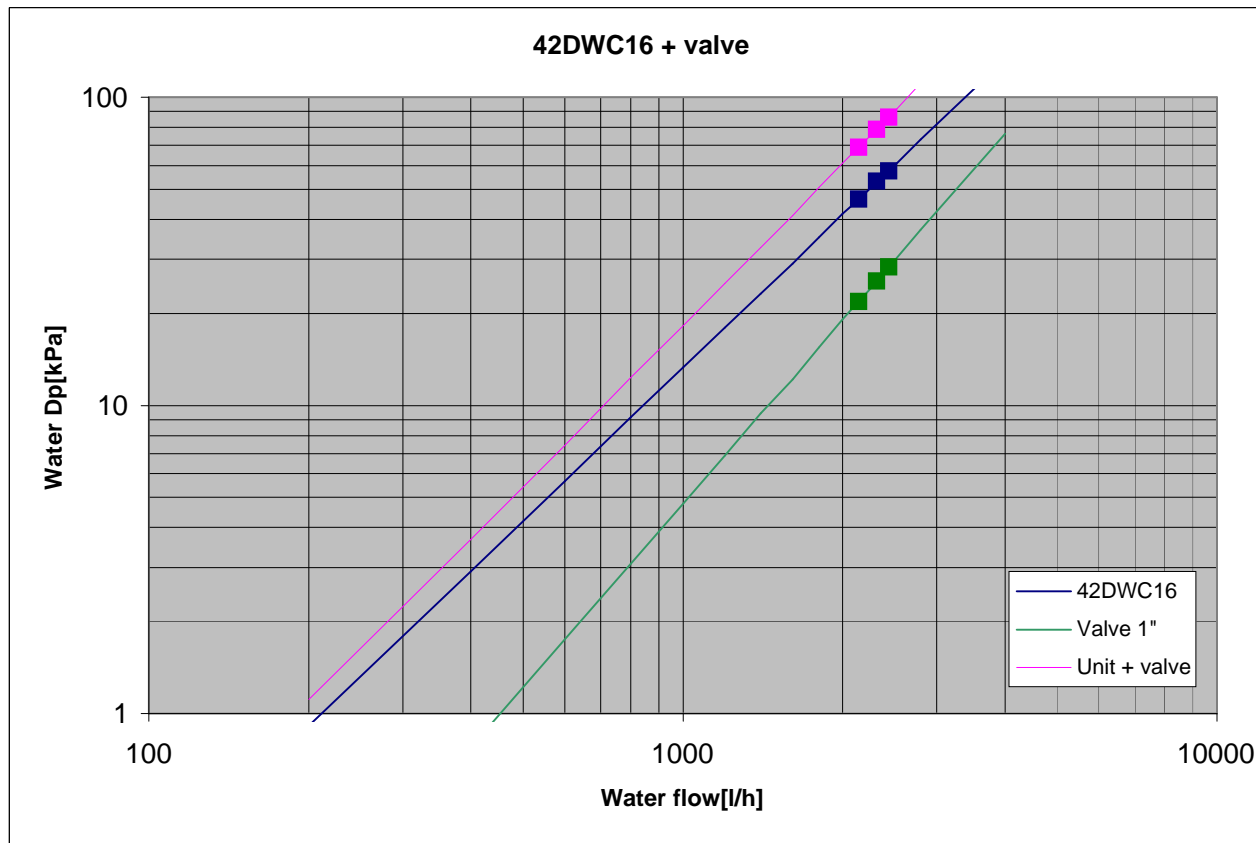


# Hydronic Global Satellite Performance –Water pressure drop



Carrier Confidential

**Maximum water DP for the complete unit (2 pipes Base unit+valve) < 100kPa,  
using a 1" and KV 4.5 for size 16 and 12**



Three dots in the graph indicate the pressure drop at the Eurovent condition

Condition: room air temperature: 27° C db / 19° C wb; Entering water 7° C / leaving water 12° C

## Hydronic Global Satellite Design overview



**Carrier**

A United Technologies Company

---

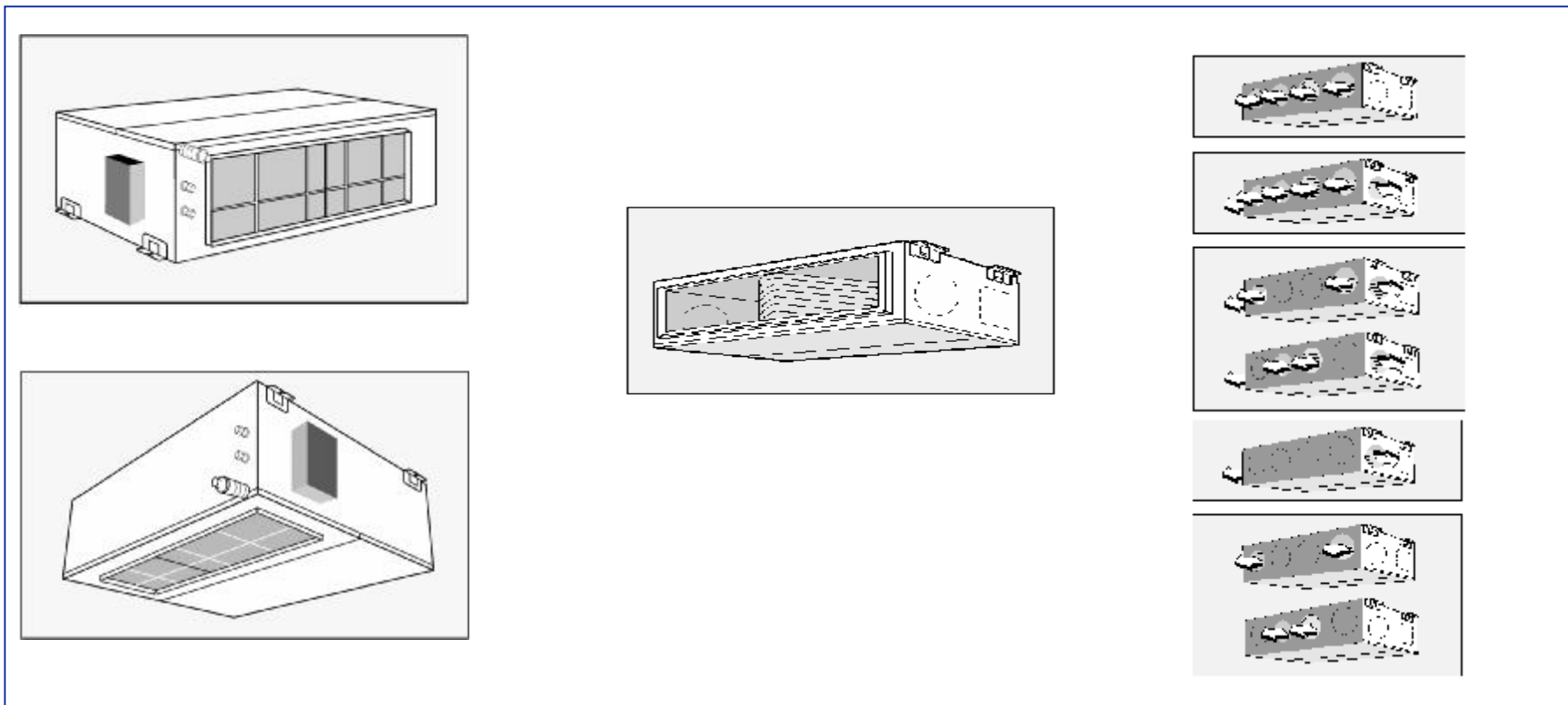
Carrier Confidential

- New Design highlights
- Installation
  - ∅ ceiling appension
  - ∅ air return options
  - ∅ air discharge options
- Service: access to filter
- Accessories

## Hydronic Global Satellite New Design highlights



Carrier Confidential



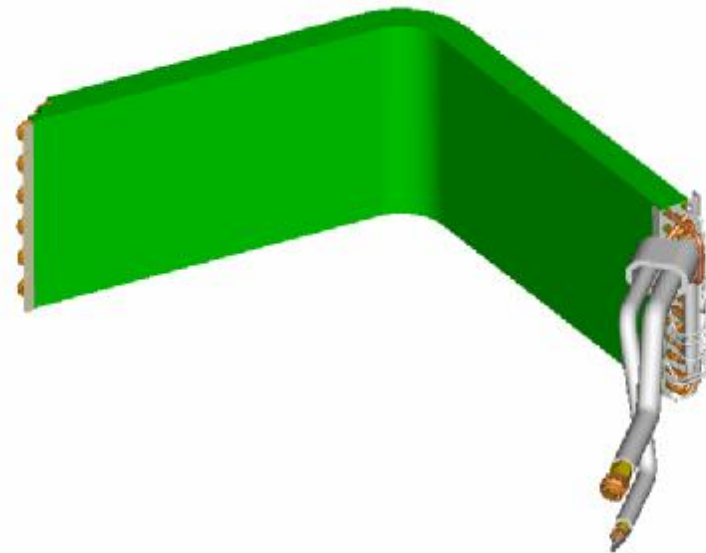
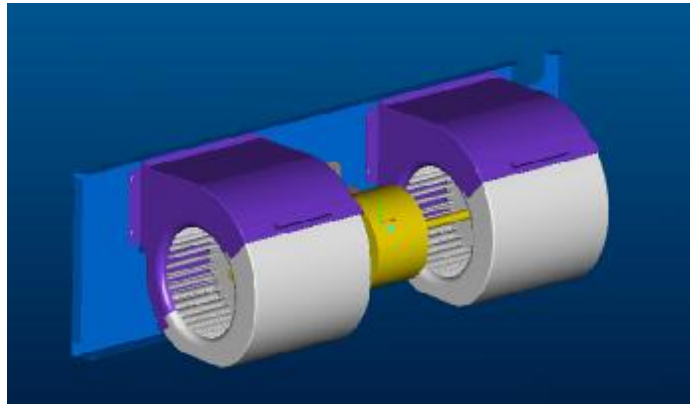
Unit unique design gives superior flexibility of installation.

16 combinations of Air Discharge and Air return are possible including possibility to install unit in a narrow corridor.

*Hydronic Global Satellite*  
New Design highlights

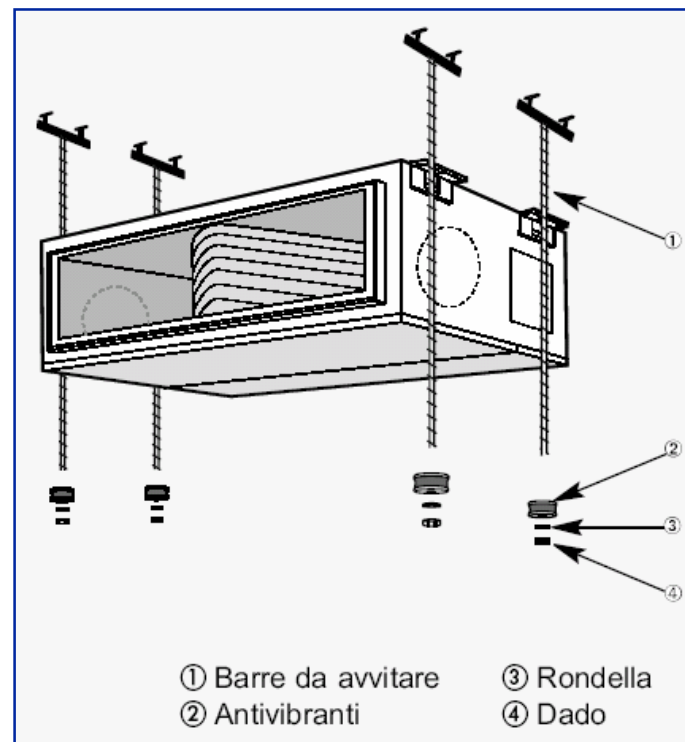
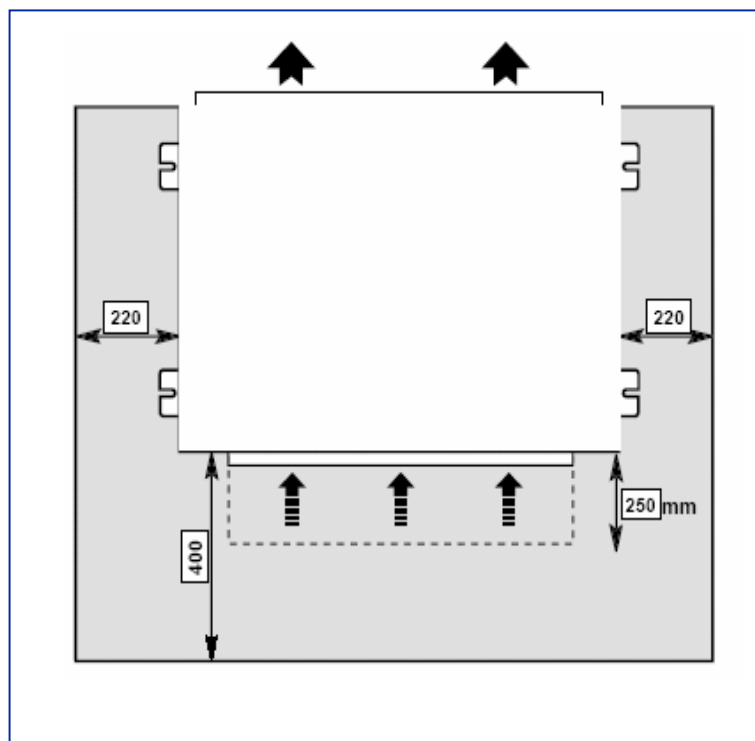


Carrier Confidential



New fan and scroll design combined with V-Shaped coil to achieve super silent operation

## Hydronic Global Satellite Installation: ceiling appension



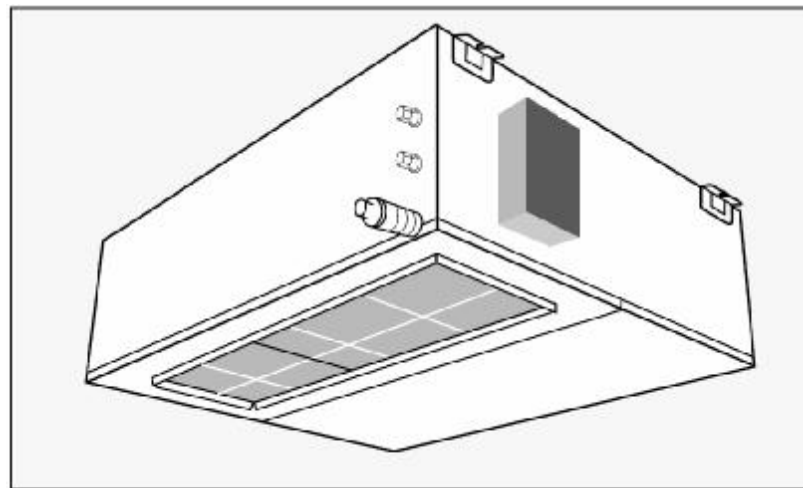
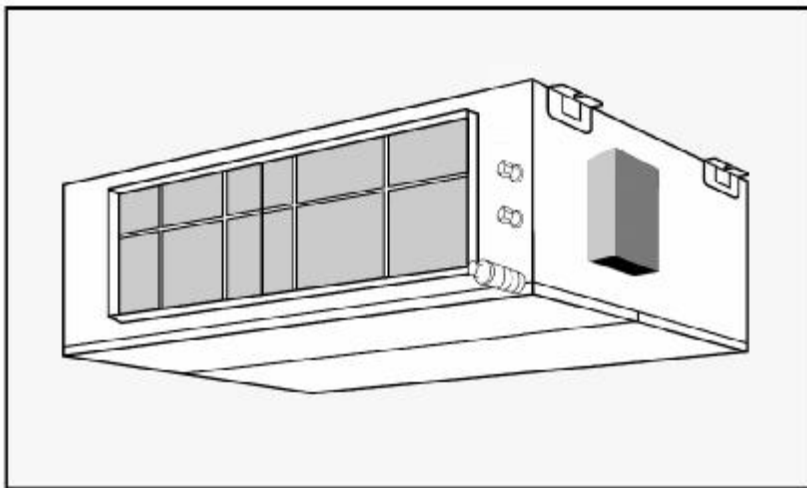
Appension:

Removable 4 brackets factory installed on the sides with one screw  
 Today Satellite installation procedures are kept but bracket position  
 has been redesigned to improve installability

## Hydronic Global Satellite Installation: air return options



Carrier Confidential

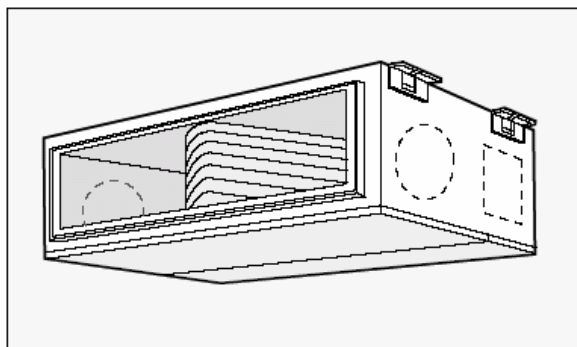


No added component

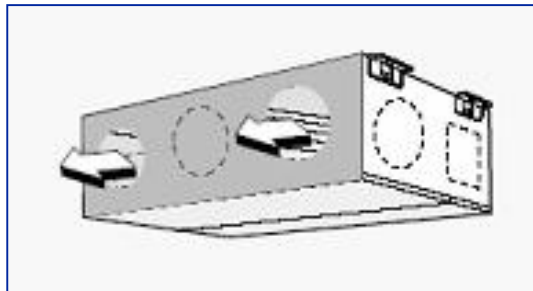
Modularity in the sizes of filter and panels allow installation with air return from back or bottom .

With old unit (42JW), a plenumkit (option) is required

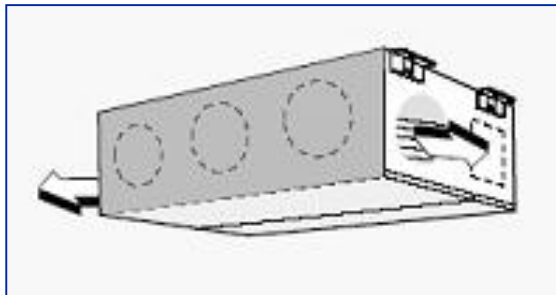
## Hydronic Global Satellite Installation: air discharge options



front discharge



lateral discharge



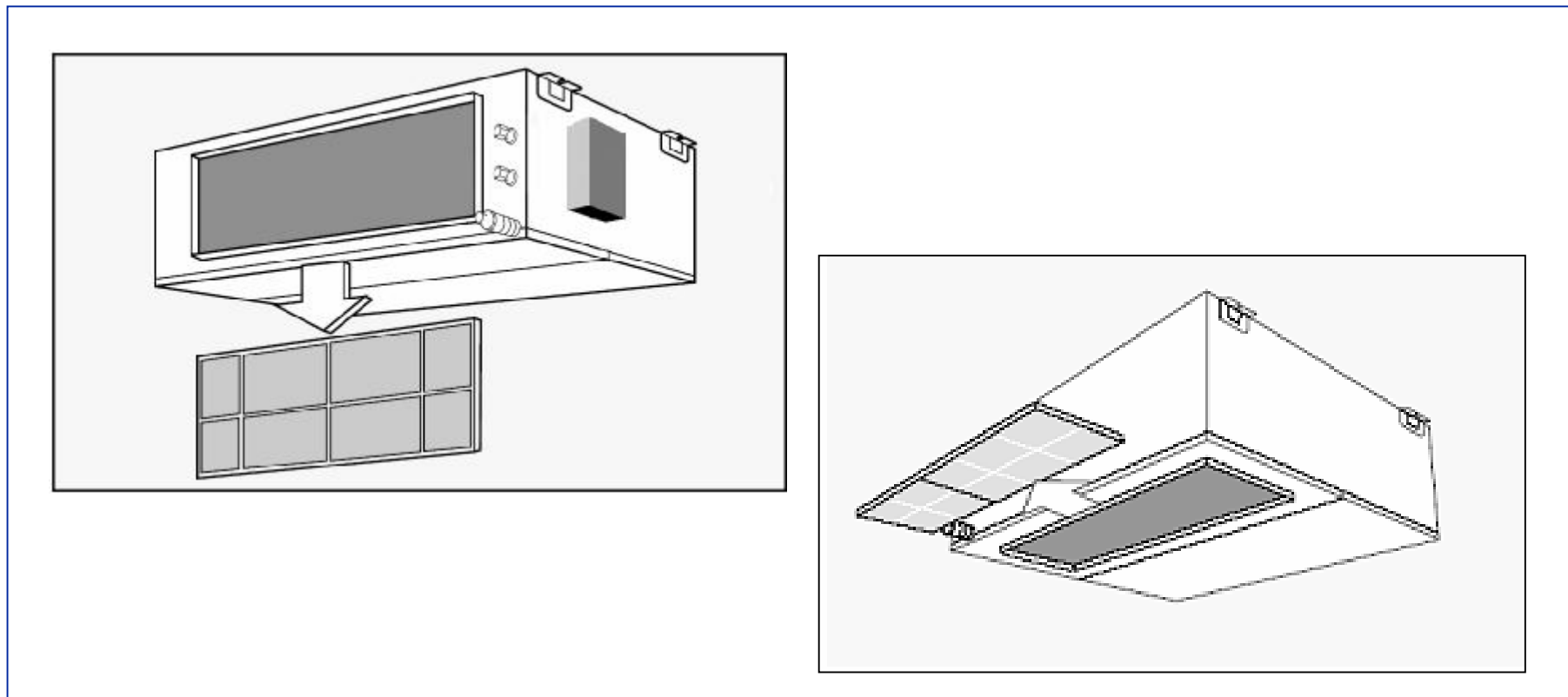
Front panel (standard,) can be easily changed; the unit is supplied with a front enclosure panel with 8" diameter circular cut-outs  
With old unit (42JW), a plenum kit (option) is required

## Hydronic Global Satellite Service: access to filter

**Carrier**

A United Technologies Company

Carrier Confidential



Access to filter:

Filter rack with removable filtering material (by the bottom with return duct and by the back panel if return is from the bottom).



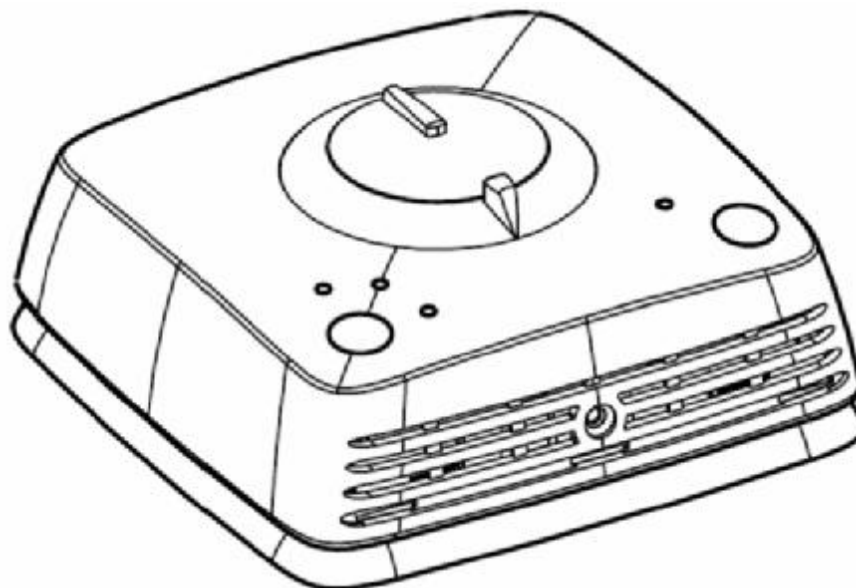
## Hydronic Global Satellite Accessories



**Carrier**

A United Technologies Company

Carrier Confidential



Standardization of control

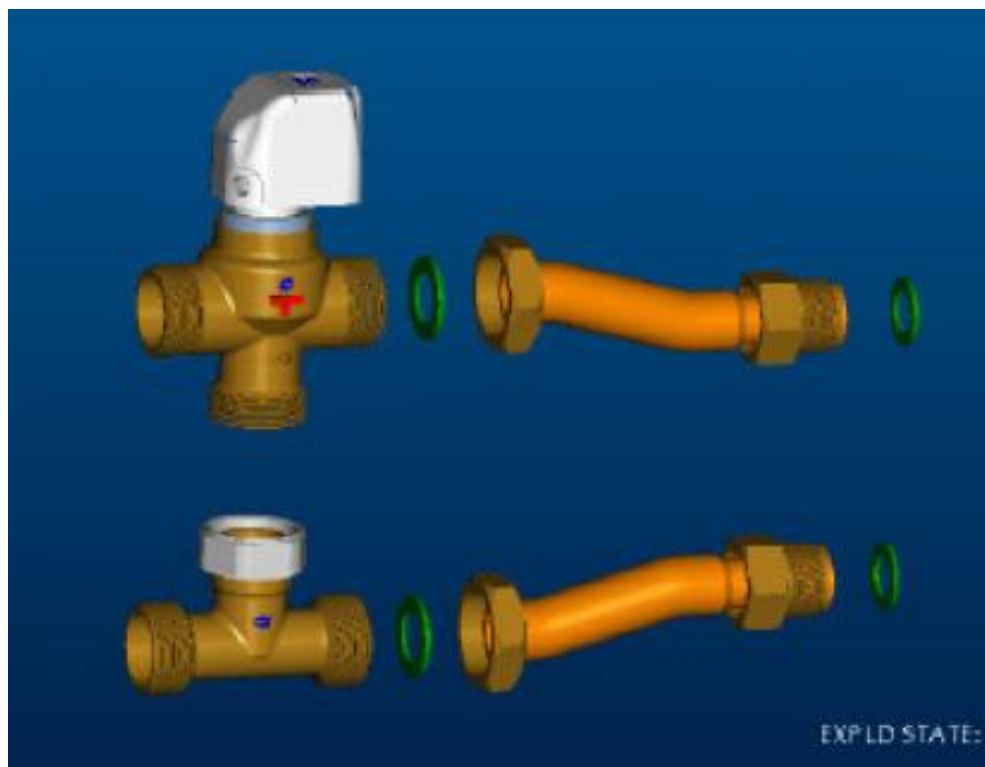
Same Stand Alone control as 42N will be provide:

Type A for 2 pipe unit and type B for 4 pipes or 2 pipes + Electrical Heaters

## Hydronic Global Satellite Accessories



Carrier Confidential



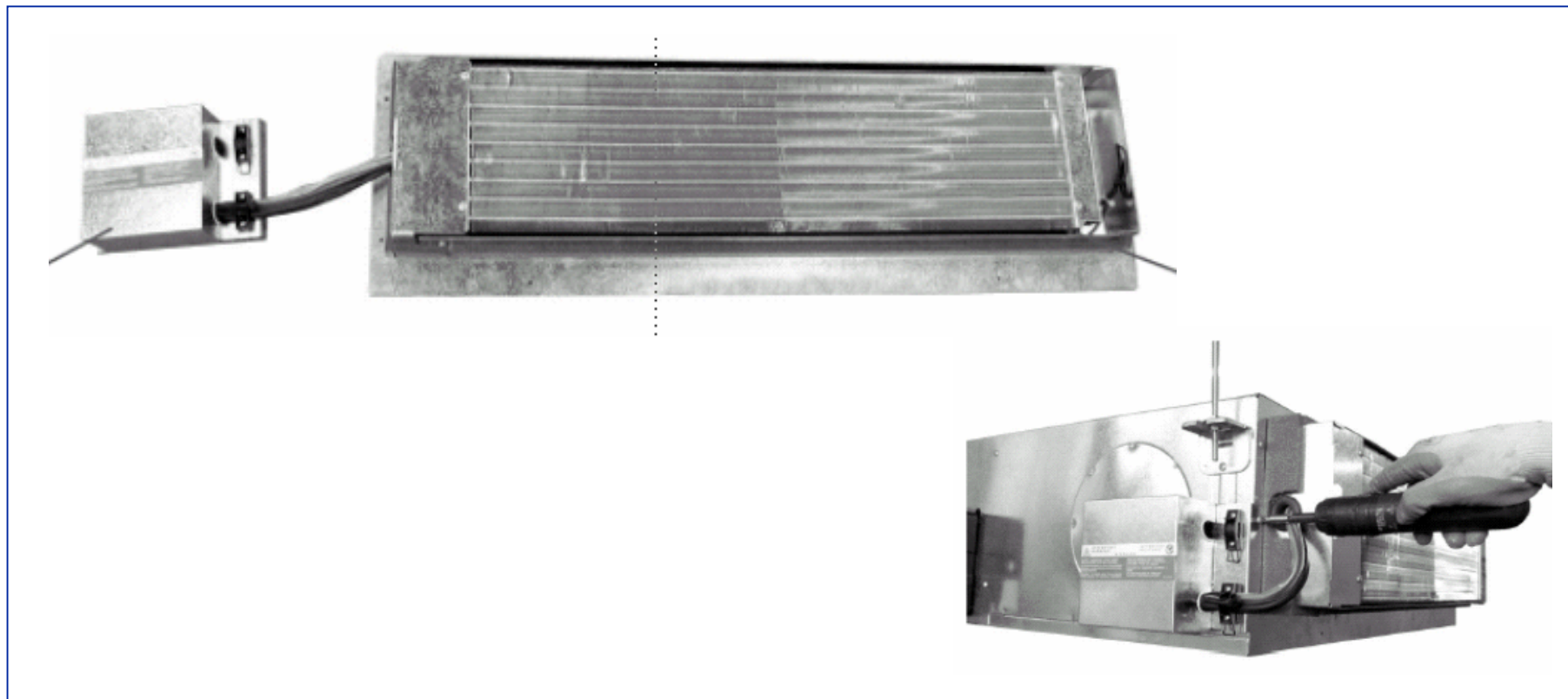
Valve:

Same valve used in the 42JW unit (3/4" and 1"), with no water flare **(If FABIEN AGREE)**. Kit for 4 pipes units will have both cold and hot water coil valves.

## Hydronic Global Satellite Accessories



Carrier Confidential



Electric Heaters:

At the lunch, external kit of 3kW will be available.